

The Professional's Choice

Unvented Hot Water Cylinders



uvgold²
unvented stainless steel

Step up to powerful hot water!

The new UV Gold² is a range of unvented hot water cylinders manufactured from high grade Duplex stainless steel, featuring excellent corrosion resistance for long operational life. They've been designed with you, installer, in mind to offer you a 'one-stop shop' solution to all your water heating needs.

The cylinders come with all required fittings and accessories, making them quick and easy to install.

The use of high specification quality components ensures outstanding performance.

The range consists of direct and indirect, standard and slimline models with capacities ranging from 90 to 500litres. Indirect models are also available horizontal and highly popular system-fit and pre-plumbed, pre-wired version to simplify installation and significantly reduce time installer has to spend on-site.

With such an extensive range of models on offer, the cylinders are able to fulfil requirements of a wide array of applications - from a small house with one bathroom and/or an en-suite, through large family homes with 2-3 bathrooms to multiple-occupancy estates with four or five bathrooms.

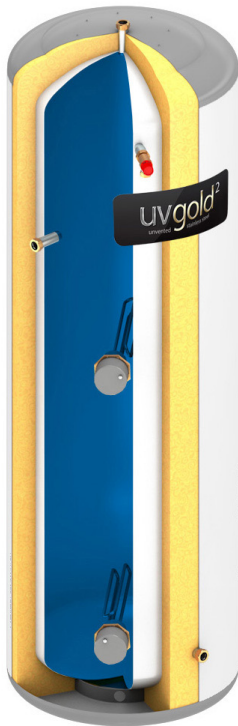
The cylinders offer mains pressure hot water and can handle DHW being delivered simultaneously to multiple points around the home. Quick recovery coils and high level of energy-efficient insulation mean both reheat times and running costs are kept to a minimum. With a 25-year internal vessel guarantee and 2 years on parts and labour, you can rest assured the new UV Gold² will deliver your customers not only the hot water they need, but also the ultimate peace of mind.



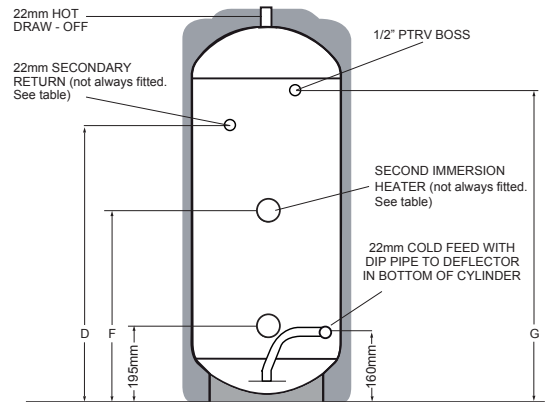
Features and benefits

- Duplex stainless steel for excellent corrosion resistance
- Mains pressure hot water for fast filling baths and powerful showers
- High flow-rate controls - ideal for multiple bathrooms
- Fast reheat and high insulation values resulting in high efficiency
- Wide range of types and capacities to suit various applications
- A complete package - just add pipework

DIRECT 90L - 300L



Unvented direct cylinders are designed for electric water heating and feature a Long Life Incoloy immersion heaters with smart control, which can be used in conjunction with 'low tariff electricity'. They are suitable mainly for domestic use.



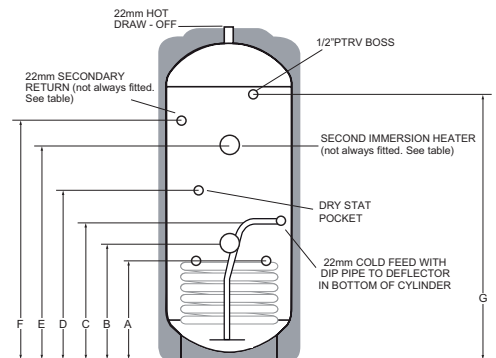
CODE	CAPACITY (Litres)	HEIGHT	DIAMETER	D	F	F	Rating	Load Profile	ERP AEC kWh/Year	Efficiency %	dB
ED90ERP	90	745	550	N/A	N/A	520	C	L	2689	38.1 [‡]	15
ED120ERP	120	933	550	N/A	510	705	B	M	1222	34.9 [‡]	15
ED150ERP	150	1120	550	N/A	610	895	C	L	2628	39.0 [‡]	15
ED180ERP	180	1308	550	N/A	710	1080	C	L	2628	41.0 [‡]	15
ED210ERP	210	1496	550	1150	810	1270	C	L	2672	38.3 [‡]	15
ED250ERP	250	1746	550	1400	950	1520	C	L	2669	38.4 [‡]	15
ED300ERP	300	2055	550	1600	1100	1850	C	L	2550	40.1 [‡]	15

All dimensions are in mm and are of the cased unit. N/A = Not Applicable. ‡Smart immersion heater controller installed

INDIRECT 90L - 500L



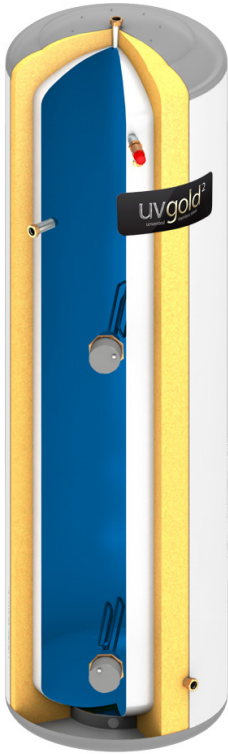
Unvented indirect cylinders are designed to heat up quickly and to retain their heat for long periods. From single shower water heating to meeting hot water demands for sports pavilions - we have the hot water solution for your needs. They are suitable for use with traditional boiler (gas, oil or electric) and have an immersion heater fitted for a back-up heating.



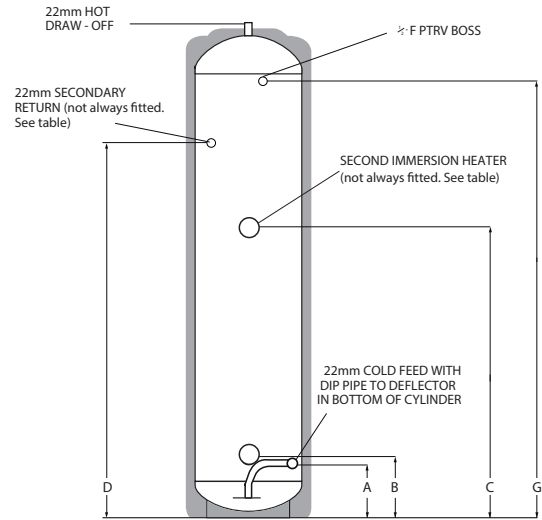
CODE	CAPACITY Litres	HEIGHT	DIA	A	B	C	D	E	F	G	ERP Rating	Standing Loss, (W)
EN90ERP	90	745	550	290	330	390	385	N/A	N/A	520	C	49
EN120ERP	120	933	550	290	330	390	385	N/A	N/A	705	B	50
EN150ERP	150	1120	550	330	370	465	425	N/A	N/A	895	C	68
EN180ERP	180	1308	550	330	370	465	425	N/A	N/A	1080	C	69
EN210ERP	210	1496	550	365	405	465	465	N/A	1150	1270	C	73
EN250ERP	250	1746	550	365	405	465	560	950	1400	1520	C	91
EN300ERP	300	2055	550	365	405	465	660	1100	1600	1830	C	87
EN400ERP	400	1657	693	692	767	197	827	1057	1347	1387	C	102
EN500ERP	500	1946	693	692	767	197	827	1357	1947	1687	C	110

All dimensions are in mm and are of the cased unit. N/A = Not Applicable.

SLIMLINE DIRECT 150L - 210L



The slimline models have been developed to enable installers to fit unvented cylinders into smaller properties where space is an issue. Slimline direct cylinders are designed for electric water heating and feature a Long Life Incoloy immersion heaters with smart control, which can be used in conjunction with 'low tariff electricity'. They are suitable mainly for domestic use.



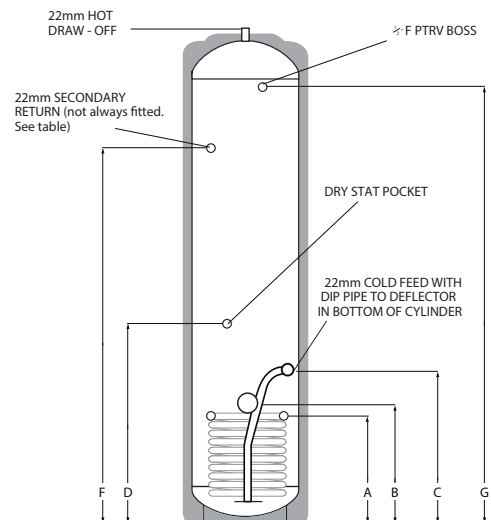
CODE	CAPACITY (Litres)	HEIGHT	DIAMETER	A	B	C	D	G	ERP				
									Rating	Load Profile	AEC kWh/year	Efficiency %	dB
EDS150ERP	150	1467	478	175	210	810	N/A	1234	C	L	2689	38.1	15
EDS180ERP	180	1717	478	175	210	910	N/A	1484	C	L	2640	38.8	15
EDS210ERP	210	2030	478	175	210	1100	1500	1797	C	L	2597	39.4	15

All dimensions are in mm and are of the cased unit. N/A = Not Applicable. ‡Smart immersion heater controller installed

SLIMLINE INDIRECT 150L - 210L



The slimline models have been developed to enable installers to fit unvented cylinders into smaller properties where space is an issue. Slimline indirect cylinders are designed to heat up quickly and to retain their heat for long periods. They are suitable for use with traditional boiler (gas, oil or electric) and have an immersion heater fitted for a back-up heating.



CODE	CAPACITY (Litres)	HEIGHT	DIAMETER	A	B	C	D	F	G	ERP	
										Rating	Standard Loss, (W)
ENS150ERP	150	1467	478	380	420	520	520	N/A	1234	C	65
ENS180ERP	180	1717	478	380	420	520	610	N/A	1484	C	73
ENS210ERP	210	2030	478	380	420	520	710	1500	1797	C	87

All dimensions are in mm and are of the cased unit. N/A = Not Applicable.

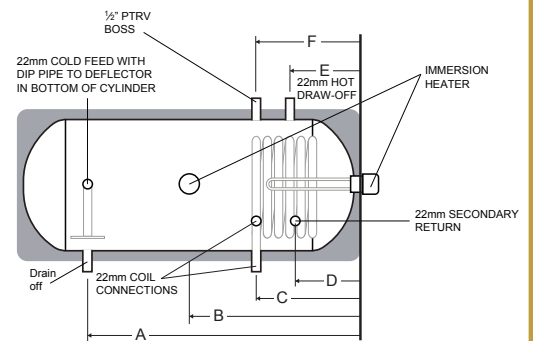
HORIZONTAL INDIRECT 180L - 300L

The horizontal cylinders have been developed to enable installers to fit unvented cylinders in locations where height restrictions apply, such as lofts. Horizontal indirect cylinders are designed to heat up quickly and to retain their heat for long periods. From single shower water heating to meeting hot water demands for sports pavilions - we have the hot water solution for your needs. They are suitable for use with traditional boiler (gas, oil or electric) and have an immersion heater fitted for a back-up heating.



CODE	CAPACITY (Litres)	LENGTH	HEIGHT	DIA	A	B	C	D	E	ERP		
ENH180ERP	180	1258	680	550	925	798*	483	N/A	209	346	C	72
ENH210ERP	210	1446	680	550	1213	898*	483	248	209	346	C	76
ENH250ERP	250	1696	680	550	1363	898	483	248	209	346	C	89
ENH300ERP	300	2009	680	550	1676	898	483	248	209	346	C	88

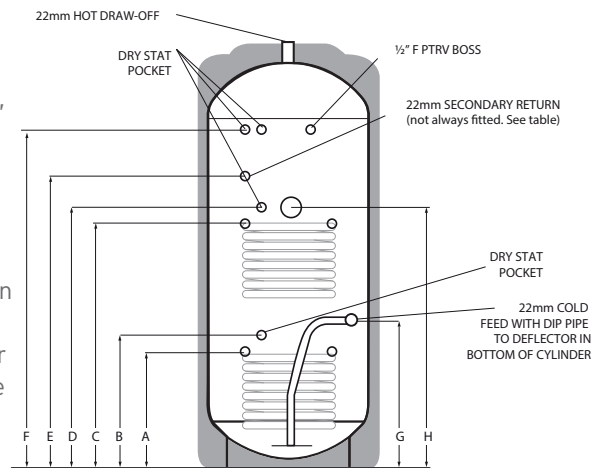
*Note: 180L & 210L Cylinders fitted with 1 3/4" BSP boss for an additional immersion heater, sold separately. Immersion heater CODE: IMHTRSS
All dimensions are in mm.



SOLAR INDIRECT 180L - 300L



Ideal for any solar thermal system, solar indirect cylinders feature two heating coils, with the primary coil connecting to a solar thermal heat source and the secondary coil connecting to a traditional boiler (gas, oil or electric). It also has an immersion heater fitted for a back-up heating. Solar indirect cylinders heat up quickly and retain their heat for long periods. From single shower water heating to meeting hot water demands for sports pavilions - we have the hot water solution for your needs.



CODE	CAPACITY (Litres)	HEIGHT	DIA	A	B	C	D	E	F	G	H	ERP	
ET180ERP	180	1308	550	290	345	674	729	N/A	1080	390	725	C	69
ET210ERP	210	1496	550	365	420	779	834	1150	1270	465	830	C	73
ET250ERP	250	1746	550	365	420	950	1005	1400	1520	465	1000	C	91
ET300ERP	300	2055	550	365	420	980	1034	1600	1830	465	1030	C	87

All dimensions are in mm and are of the cased unit. N/A = Not Applicable.

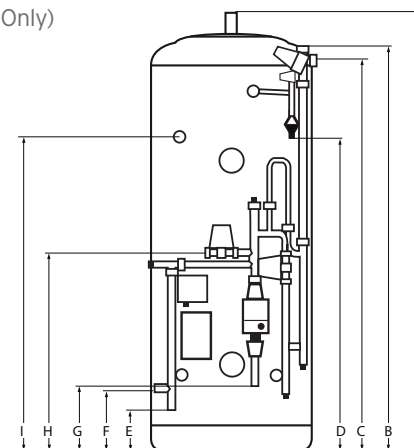
PRE-PLUMB INDIRECT 120L - 300L



Using out standard indirect cylinders, but with plumbing and wiring factory fitted a pre-plumb cylinders can save up to 70% fitting time on-site, in addition to all the usual features and benefits associated with an unvented hot water cylinder. We provide models suitable for use with conventional gas or oil boilers

Components & Connections

- 22mm Hot Water Draw-Off
- Inlet Control Set
- Temperature Relief Valve
- Cold Feed Drain Elbow
- Immersion Heater 3kW
- Secondary immersion Heater 3kW (250L & 300L Only)
- Dual Thermostat
- 22mm Auto Bypass Valve
- Circulating Pump
- Central Heating Flow 1 x Two Port Zone Valve
- Filling Loop Flexible Hose
- Manual Bottle Air Eliminator
- 22mm DHW Two Port Valve
- 28mm Return from Radiator Circuit
- 28mm Return to Boiler
- Wiring Centre
- Tundish
- Secondary Return (210L, 250L & 300L Only)
- DHW Drain
- 28mm Flow to Boiler



CODE	CAPACITY	HEIGHT (Litres)	DIA	A	B	C	D	E	F	G	H	I	ERP	
													RATING	RATING
EN120P4ERP	120	933	550	933	883	836	573	171	246	102	470	N/A	B	50
EN150P4ERP	150	1120	550	1120	1070	1025	782	212	287	142	550	N/A	C	68
EN180P4ERP	180	1308	550	1308	1325	1280	1037	212	287	142	550	N/A	C	69
EN210P4ERP	210	1496	550	1496	1445	1400	1157	246	321	277	685	1150	C	73
EN250P4ERP	250	1746	550	1746	1695	1650	1407	246	321	277	685	1400	C	91
EN300P4ERP	300	2055	550	2055	2008	1963	1720	246	321	383	790	1600	C	87

All dimensions are in mm and are of the cased unit. N/A = Not Applicable.

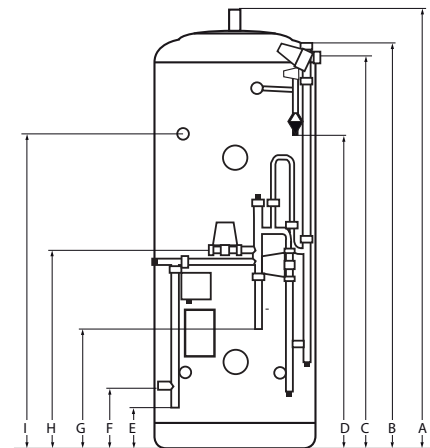
SYSTEM-FIT INDIRECT 180L - 300L



Specifically designed for use with system or conventional boilers, these system-fit cylinders use out standard indirect cylinders, with plumbing and wiring factory fitted. A System-Fit cylinders can save up to 70% fitting time on-site, in addition to all the usual features and benefits associated with an unvented hot water cylinder.

Components & Connections

- 22mm Hot Water Draw-Off
- Inlet Control Set
- Temperature Relief Valve
- Cold Feed Drain Elbow
- Immersion Heater 3kW
- Secondary immersion Heater 3kW (250L & 300L Only)
- Dual Thermostat
- 22mm Auto Bypass Valve
- Central Heating Flow 1 x Two Port Zone Valve
- Filling Loop Flexible Hose
- Manual Bottle Air Eliminator
- 22mm DHW Two Port Valve
- 28mm Return from Radiator Circuit
- 28mm Return to Boiler
- Wiring Centre
- Tundish
- Secondary Return (210L, 250L & 300L Only)
- DHW Drain
- 28mm Flow to Boiler



CODE	CAPACITY	HEIGHT (Litres)	DIA	A	B	C	D	E	F	G	H	I	ERP	
													RATING	RATING
EN180P5ERP	180	1308	550	1308	1325	1280	1037	212	287	462	550	N/A	C	69
EN210P5ERP	210	1496	550	1496	1445	1400	1157	246	321	597	685	1150	C	73
EN250P5ERP	250	1746	550	1746	1695	1650	1407	246	321	597	685	1400	C	91
EN300P5ERP	300	2055	550	2055	2008	1963	1720	246	321	703	790	1600	C	87

All dimensions are in mm and are of the cased unit. N/A = Not Applicable.



www.uvgoldcylinders.co.uk
email: info@uvgoldcylinders.co.uk