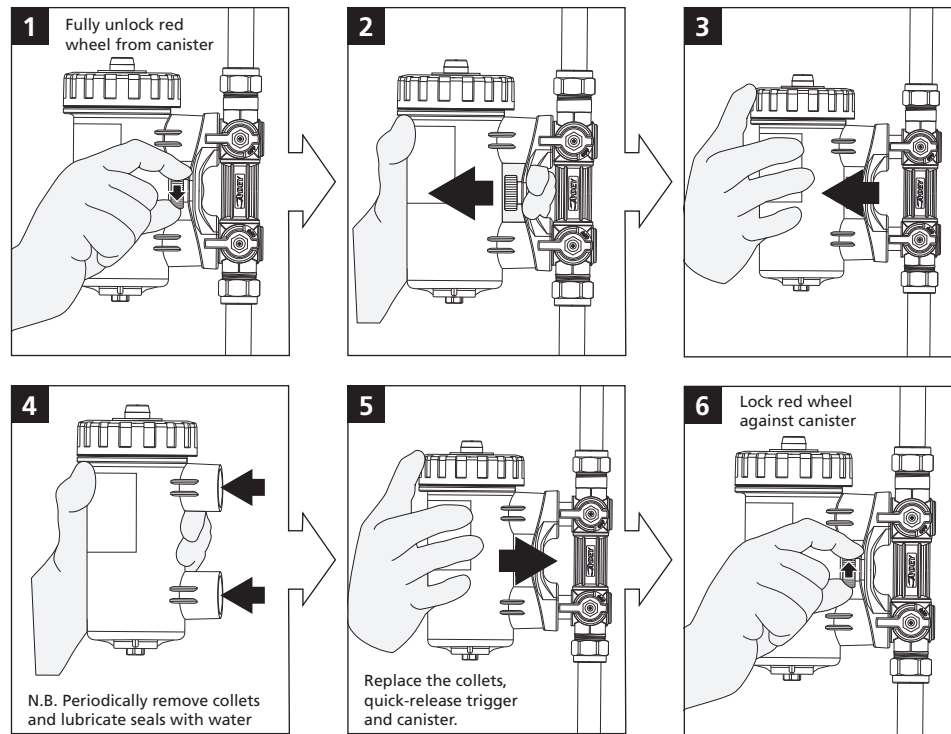


## Quick-release trigger

*MagnaClean® Professional2* incorporates a secure, quick-release, trigger which enables the filter to be removed and re-installed in seconds.

The industry leading connections are an integral part of the new *MagnaClean Professional2* design. They enable easy and speedy filter removal during annual servicing or to undertake a *MagnaCleanse* system flush. This also makes it ideal for systems where there is little room to install a filter.

The following instructions are designed to support engineers in the safe and effective servicing of *MagnaClean Professional2* using the quick-release trigger.



### FOR BEST RESULTS

Install and service with *MC1+*, the new advanced system inhibitor from the UK's No 1 manufacturer of magnetic filters.

# MagnaClean® Professional 2

## Installation and servicing instructions

Maximum working pressure: 6 bar	Maximum working temperature: 95°C
Flow rate: <50 l/min	Flow: Bi-directional
Valve A: Double depth socket, slip couplet	Valve B: Single depth socket

### CAUTION:



*MagnaClean* filter contains a strong magnet. Keep away from all electrical devices, bank cards and other magnetic devices.



*MagnaClean* filter contains a strong magnet. Caution should be taken at all times when handling if you have a pacemaker fitted.



*MagnaClean* filter is a pressurized device. Always release pressure before servicing.



Unit may be hot in operation. Handle with care.

**IMPORTANT** Always follow the Standard Electrical Best Practice guidelines when installing a *MagnaClean* filter. A copy of these can be found at <http://www.hse.gov.uk/electricity>

To maintain earth continuity in accordance with current IEE regulations, when required a suitable earth bonding cable should be fitted to the pipework to bypass the product. Refer to NICEIC 17th edition for more information

## ADEY

PROFESSIONAL HEATING SOLUTIONS

Telephone: 01242 546717 Email: [info@adey.com](mailto:info@adey.com)

[www.adey.com](http://www.adey.com)



Produced from recycled material  
A carbon neutral company

M02729 LF2-01-00587-01



## ADEY

PROFESSIONAL HEATING SOLUTIONS



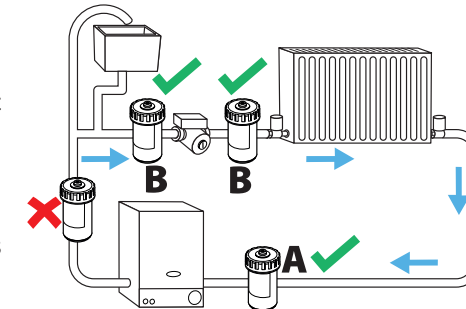
# Installation

**MagnaClean® Professional2** has been developed by the company that pioneered magnetic filtration. ADEY's filters protect more than three million central heating systems in UK homes removing virtually 100% of the damaging suspended black iron oxide sludge that builds up in all heating systems.

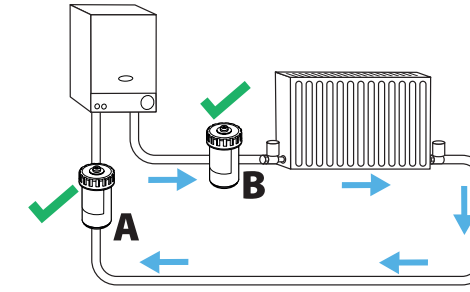
The dual-action filter can be installed anywhere on the main circuit. However, to achieve the best level of protection for the boiler, it is recommended that **MagnaClean Professional2** is fitted after the last radiator and before the boiler.

In determining a suitable location, it is important to allow adequate access for servicing.

The following instructions are designed to support engineers in the safe and effective installation and servicing of **MagnaClean Professional2** and should be followed at all times. Ensure the filling loop is fitted after the filter. The lid seal should be checked for wear when servicing **MagnaClean**. It is Best Practice to replace the lid seal at each service. To arrange replacements please visit [adeyspares.co.uk](http://adeyspares.co.uk) or contact the ADEY Team on 01242 546717.

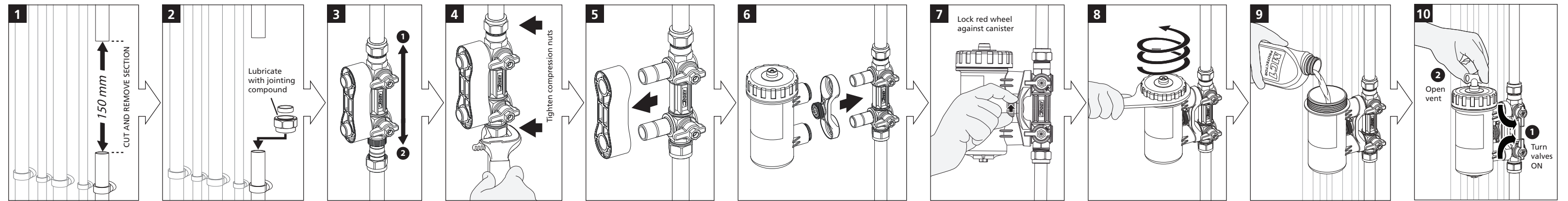


Open vented system



Combi/Sealed system

In both diagrams, position **A** is recommended as part of ADEY's best practice approach. Position **B** is suitable if space is tight on the return. When completing a system flush using **MagnaCleanse®** always ensure this is installed and carried out on the return pipe of the system for optimum boiler protection.



# Servicing

Your system is protected by  
**MagnaClean® Professional 2**  
Annual service required  
[www.adey.co.uk](http://www.adey.co.uk)

