

# Sanicom 1

## Grey water

The Sanicom 1 is an automatic powerful lifting station designed to remove grey water from public places such as doctors' surgeries, showers in sports halls, launderettes, pubs, hair salons etc. Suitable for multiple connections the unit can handle temperatures up to 90°C for short periods of time. This unit is equipped with a dip tube that controls the activation of the motor. A high level alarm is built into the unit.



### PERFORMANCE

- Max. head : 11 m
- Max. flow rate : 12 m<sup>3</sup>/h

### PRODUCT BENEFITS

- Grey water lifting station
- The unit is floor standing for easy installation
- Easily accessible for maintenance
- 2 side inlets
- Alarm can be fitted to the unit if required



See page 10



### OPTIONAL EXTRAS



Wired, audible and visual alarm box  
 Product code: 30520  
 Barcode: 3308815083384

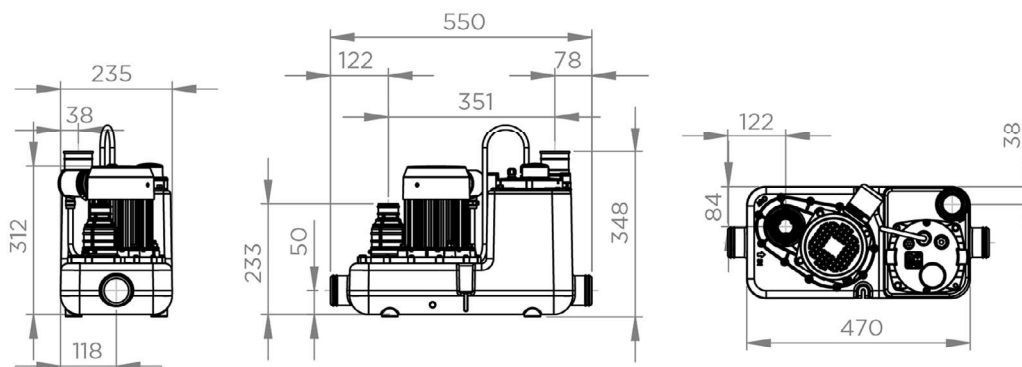


Sanicubic carbon filter  
 Product code: 1108  
 Barcode: 3308815077529

### PACK CONTAINS

Sanicom 1, non-return valve, connectors

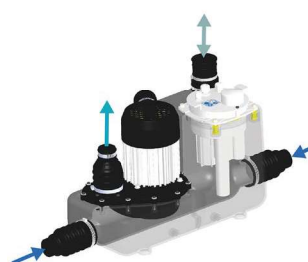
## DIMENSIONS



## CURVE



## CONNECTIONS



- External inlet diameter : 40/50 mm
- Discharge diameter ext. : 32 mm
- Ext. ventilation diameter : 50 mm

	Sanicom 1
Type of control box	Integrated
<b>Material</b>	
Tank	PE
Pump housing	PA 12 GF
Motor housing	Aluminium
Impeller	PA 6 GF
<b>Electrical features</b>	
Voltage (V)	230
Frequency (Hz)	50-60
Power consumption P1 (W)	750
Power output P2 (W)	525
IP rating	IPX4
<b>Hydraulics</b>	
Max. head (m)	11
Max. flow rate (m³/h)	12
External inlet diameter (mm)	40/50
Discharge diameter ext. (mm)	32
Ext. ventilation diameter (mm)	50
Total volume (L)	14
Useable volume (L)	5.7
ON level /OFF level (mm)	135/50
Alarm level (mm)	205
Particle size (mm)	8
Max. temperature of the pumped liquid (5 min)	90°C
Type of impeller	multi-channel
Type of activation	pneumatic
<b>Identification and logistics</b>	
Gross weight (kg)	10
EAN code	3308815082851
Product code	30003