



Please keep me in a safe place for future use.

## INSTALLER AND OWNER GUIDE

# Model 945

Inset live fuel effect gas fire



945FS Incorporating the VALOR **FireSlide**<sup>®</sup> CONTROL  
 945MC Incorporating Manual CONTROL  
 945RC Incorporating Remote CONTROL

Fitted with one of the following trim / fascia's.

## Allure Inlay, Standard Return or Flat.

- Alton, Bauhaus, Blenheim, Clifton or Downton frets.

or

## Dream, Masquerade, Excelsior or Petrus.

We trust that this guide gives sufficient details to enable this appliance to be installed, operated and maintained satisfactorily.

However, if further information is required, our **Valor Technical Helpline** will be pleased to help.

Telephone **0844 879 35 88**  
 (National call rates apply in the United Kingdom).

In the Republic of Ireland Telephone  
**01 842 8222.**



**THIS APPLIANCE IS FOR USE WITH NATURAL GAS (G20).**

**WHEN CONVERTED USING CONVERSION KIT NO. 0595211 THIS APPLIANCE  
IS FOR USE WITH PROPANE GAS (G31).**

**THIS APPLIANCE IS SUITABLE ONLY FOR INSTALLATION IN THE UNITED  
KINGDOM (GB) AND THE REPUBLIC OF IRELAND (IE).**

**© GDC Group Ltd.**

All rights reserved. No part of this publication may be reproduced in any material form (including photocopying), stored in any medium by electronic means (including in any retrieval system or database) or transmitted, in any form or by any means, whether electronic, mechanical, recording or otherwise, without the prior written permission of the copyright owner.

Applications for the copyright owner's permission to reproduce any part of this publication should be made, giving details of the proposed use, to the following address: The Marketing Communications Manager, GDC Group Ltd, Millbrook House, Grange Dive, Hedge End, Southampton, SO30 2DF.

Warning: Any person who does any unauthorised act in relation to a copyright work may be liable to criminal prosecution and civil claims for damages.



Valor, GDC Group Ltd, Millbrook House, Grange Dive, Hedge End, Southampton,  
SO30 2DF.

[www.valor.co.uk](http://www.valor.co.uk)

**Because our policy is one of constant development and improvement, details may vary  
slightly from those given in this publication**

### **Safety First.**

Valor fires are CE Approved and designed to meet the appropriate British Standards and Safety Marks.



### **Quality and Excellence.**

All Valor fires are manufactured to the highest standards of quality and excellence and are manufactured under a BS EN ISO 9001 quality system accepted by the British Standards Institute.



### **The Highest Standards**

Valor is a member of the Benchmark scheme and HHIC (Heating and Hot water Industry Council) that work to ensure high standards of safety, quality and performance.



### **Careful Installation**

This gas fire must be installed by a competent GAS SAFE REGISTER operative in accordance with this installer guide.



# INSTALLER GUIDE

FOR OWNER GUIDE SEE PAGES 46 TO 66

# INSTALLER GUIDE

## CONTENTS

<u>Section</u>	<u>Page</u>
<b>INSTALLER GUIDE</b>	<b>4 - 45</b>
<b>OWNER GUIDE</b>	<b>46 - 66</b>
<b>1. SAFETY AND UNPACKING</b>	<b>7</b>
<b>2. APPLIANCE DATA AND EFFICIENCY</b>	<b>8</b>
2.1 General information.	8
2.2 Efficiency.	9
2.3 Nox	9
<b>3. GENERAL INSTALLATION REQUIREMENTS</b>	<b>9</b>
3.1 Regulations, Standards and Law.	9
3.2 Ventilation requirements.	10
3.3 The Atmosphere sensing device (ASD).	10
3.4 Fireguard requirements.	10
3.5 Room considerations.	11
3.6 Chimney preparation.	11
3.7 Fireplace preparation.	11
3.8 The hearth.	12
3.9 Fireplace clearances.	12-13
3.10 Installation options.	14-15
3.11 Flues.	16
3.12 Propane fires.	17
<b>3.13 The Benchmark Scheme</b>	<b>17</b>
<b>4. PACK CONTENTS</b>	<b>18-20</b>
<b>5. FIREPLACE CHECK</b>	<b>21</b>
5.1 Soundness for appliance attachment.	21
5.2 Fireplace flue pull.	21
<b>6. IGNITION CHECK</b>	<b>21</b>
- 945FS	21
- 945MC	22
- 945RC - Fitting batteries	22
- 945RC - Setting the handset & reciever relationship	23
- 945RC - Factory reset of handset	23
- 945RC - Checking the ignition operation	24
- 945RC - Error Codes	24
<b>7. GAS SUPPLY CONNECTION</b>	<b>24</b>
<b>8. PREPARING APPLIANCE FOR INSTALLATION</b>	<b>25 - 26</b>
<b>9. CONVECTION BOX INSTALLATION</b>	<b>26 - 29</b>
9.1 Method 1 - Front fixing to fireplace surround.	26
9.2 Method 2 - Cable retention and floor fixing.	27 - 29
9.3 Sealing floor front - All installations.	29

Continued on next page

# INSTALLER GUIDE

## CONTENTS (Continued)

<u>Section</u>	<u>Page</u>
<b>10. BURNER AND SUPPLY PIPE INSTALLATION</b>	<b>29</b>
10.1 Burner and supply pipe installation.	29
10.2 Preliminary burner checks.	30
10.3 Inlet pressure check.	31
<b>11. CERAMIC WALLS INSTALLATION</b>	<b>32</b>
<b>12. FASCIA / TRIM AND CONTROL LINKAGE</b>	<b>32-33</b>
<b>13. FITTING THE CERAMIC FUEL EFFECT</b>	<b>34</b>
<b>14. FIREFRONT / ASHPAN COVER INSTALLATION</b>	<b>34</b>
<b>15. FULL OPERATING CHECKS</b>	<b>34</b>
15.1 Checking the control settings.	34 - 35
15.2 Check for spillage.	36
15.3 Flame supervision and spillage monitoring system.	36
<b>16. FINAL REVIEW</b>	<b>37</b>
<b>17. SERVICING &amp; PARTS REPLACEMENT</b>	<b>38</b>
17.1 Checking the aeration setting of the burner.	39
17.2 To remove the ignition microswitch.	39
17.3 To remove the gas shut-off microswitch.	39
17.4 To remove the fascia/trim.	40
17.5 To remove the complete burner unit.	40
17.6 To remove the electronic ignition generator.	41
17.7 To remove the thermocouple interrupter block.	41
17.8 To remove the pilot unit.	41
17.9 To remove the shut-off tap.	42
17.10 To remove the gas flow rate controller.	42
17.11 To replace the burner.	43
17.12 To remove the main burner injector.	43
17.13 To remove the appliance from the fireplace.	43
17.14 To remove the gas valve	44
17.15 To remove the piezo generator	44
17.16 To grease the control tap	44
17.17 To remove the gas valve (945RC)	45

# INSTALLER GUIDE

## 1. SAFETY AND UNPACKING

Before continuing any further with the installation of this appliance please read the following guide to manual handling.

- The approximate lifting weights (kg) of this appliance are as below:

<u>Model</u>	<u>945 Engine</u>	<u>Fire front Weight</u>	<u>Combined Weight</u>
Dream	11.5	13.5	25 kg
Masquerade	11.5	13.5	25 kg
Excelsior	11.5	13.5	25 kg
Petrus	11.5	11.5	25 kg

<u>Frets:</u>	<u>945 Engine</u>	<u>Fret Casting</u>	<u>Allure Trim Weights</u>	<u>945 Weight</u>
Alton	11.5	4.0	2.8	18.3 kg
Bauhaus	11.5	3.9	2.8	18.2 kg
Blenheim	11.5	4.3	2.8	18.6 kg
Clifton	11.5	4.1	2.8	18.4 kg
Downton	11.5	4.4	2.8	18.7 kg

- One person should be sufficient to lift the fire. If for any reason this weight is considered too heavy then obtain assistance.
- When lifting always keep your back straight. Bend your legs and not your back.
- Avoid twisting at the waist. It is better to reposition your feet.
- Avoid upper body/top heavy bending. Do not lean forward or sideways whilst handling the fire.
- Always grip with the palm of the hand. Do not use the tips of fingers for support.
- Always keep the fire as close to the body as possible. This will minimise the cantilever action.
- Use gloves to provide additional grip.
- Always use assistance if required.
- **This product uses fuel effect pieces and burner compartment walls containing Refractory Ceramic Fibres (RCF), which are man-made vitreous silicate fibres. Excessive exposure to these materials may cause irritation to eyes, skin and respiratory tract. Consequently, it is important to take care when handling these articles to ensure that the release of dust is kept to a minimum. To ensure that the release of fibres from these RCF articles is kept to a minimum, during installation and servicing we recommend that you use a HEPA filtered vacuum to remove any dust and soot accumulated in and around the fire before and after working on the fire. When replacing these articles we recommend that the replaced items are not broken up, but are sealed within a heavy duty polythene bag, clearly labelled as RCF waste. RCF waste is classed as a stable, non-reactive hazardous waste and may be disposed at a landfill licenced to accept such waste.**

# INSTALLER GUIDE

Protective clothing is not required when handling these articles, but we recommend the use of suitable gloves to prevent irritation. We also recommend you follow the normal hygiene rules of not smoking, eating or drinking in the work area and always wash your hands before eating or drinking.

– This appliance does not contain any component manufactured from asbestos or asbestos related products.

## 2. APPLIANCE DATA, EFFICIENCY & NOX

### 2.1 General information.

Model	945FS	945FS	945MC	945MC	945RC
Gas	Natural ( G20 )	Propane ( G31 )*	Natural ( G20 )	Propane ( G31 )*	Natural ( G20 ) Only
Input - Max (Gross)	6.85 kW ( 23,400 Btu/hr )	6.7 kW ( 22,860 Btu/hr )	6.85 kW ( 23,400 Btu/hr )	6.75 kW ( 22,860 Btu/hr )	6.85 kW ( 23,400 Btu/hr )
Input - Min (Gross)	2.7 kW ( 9,410 Btu/hr )	4.3 kW ( 14,670 Btu/hr )	2.3 kW ( 7,850 Btu/hr )	4.0 kW ( 13,650 Btu/hr )	2.3 kW ( 7,850 Btu/hr )
Inlet Test Pressure (Cold)	20.0 +/- 1.0 mbar (8.0 +/- 0.4in w.g.)	37.0 +/- 1.0 mbar (14.85 +/- 0.4in w.g.)	20.0 +/- 1.0 mbar (8.0 +/- 0.4in w.g.)	37.0 +/- 1.0 mbar (14.85 +/- 0.4in w.g.)	20.0 +/- 1.0 mbar (8.0 +/- 0.4in w.g.)
Gas Connection	8mm pipe	8mm pipe	8mm pipe	8mm pipe	8mm pipe
Burner Injector	CAT 82 - 074	Size 132	CAT 82 - 074	Size 132	CAT 82 - 083
Pilot & Atmosphere Sensing Device	Copreci Ref. O.D.S 21500 / 166	Copreci Ref. O.D.S 21500 / 166 Fitted with RBM 180 - 02 injector.	Copreci Ref. O.D.S 21500 / 166	Copreci Ref. O.D.S 21500/166 Fitted with RBM 180 - 02 injector.	SEAGAS P5 - 52 ( 01 / 74165 / 0 )
Ignition	Electronic ( Battery 9V PP3 )	Electronic ( Battery 9V PP3 )	Integral piezo (Mounted on gas valve)	Integral piezo (Mounted on gas valve)	Electronic (Tesc gas valve & handset)
Aeration	Factory Set	LPG Aeration plate & shutter	Factory Set	LPG Aeration plate & shutter	Factory Set

\*When converted using kit **0595211**.NOTE: Kit only for Manual or Fireslide. The appliance information label is located on a plate at the base of the fire. This can be seen by lowering the bottom front cover of the fascia.



# INSTALLER GUIDE

## 2.2 Efficiency.

The efficiency of this appliance has been measured as specified in BS 7977 - 1 and the result is as below:

<u>Model</u>	<u>Efficiency % (Gross)</u>
945 MC / FS / RC	59
945 MC / FS Only when converted to LPG.	59

The gross calorific value of the fuel has been used for this efficiency calculation. The test data from which it has been calculated has been certified by British Standards Institution (0086). The efficiency value may be used in the UK Government's Standard Assessment Procedure (SAP) for energy rating of dwellings.

Gas	Conversion factor from <b>net</b> to <b>gross</b> efficiency
Natural Gas	0.901
LPG	0.921

The conversion of **net** efficiency to **gross** was achieved by multiplying the net efficiency by the following conversion factor from Table E3 of SAP 2005, rounding down to the nearest whole number.

## 2.3 NO<sub>x</sub>

For NG the 'Weighted' result for these appliances equates to NO<sub>x</sub> Class 4.

# 3. GENERAL INSTALLATION REQUIREMENTS

## 3.1 Regulations, Standards and Law.

The installation must be in accordance with these instructions.

For the user's protection, in the United Kingdom it is the law that all gas appliances are installed by competent persons in accordance with the current edition of the Gas Safety (Installation and Use) Regulations. Failure to install the appliance correctly could lead to prosecution. GAS SAFE REGISTER require their members to work to recognised standards.

In the United Kingdom the installation must also be in accordance with:

All the relevant parts of local regulations.

All relevant codes of practice.

The relevant parts of the current editions of the following British Standards:-

BS EN 1856 Part 1 - Chimneys - Requirements for metal chimneys.

BS 715 - Specification for metal flue boxes for gas-fired appliances not exceeding 20kW.

BS EN 1858 - Chimneys - Components - Concrete flue blocks.

BS EN 1806 - Chimneys - Clay / ceramic flue blocks.

# INSTALLER GUIDE

- BS 5440 Part 1 - Installation of flues.  
BS 5440 Part 2 - Installation and maintenance of flues and ventilation for gas appliances of rated input not exceeding 70 kW net (1st, 2nd and 3rd family gases).
- BS 6461 Part 1 - Masonry chimney & flues - Installation  
BS 1251 - Fireplace components  
BS 5871 Part 2 - Installation - Inset LFE gas fires  
BS 6891 - Gas pipework installation
- In England and Wales, the current edition of the Building Regulations issued by the Department of the Environment and the Welsh Office.
  - In Scotland, the current edition of the Building Standards (Scotland) Regulations issued by the Scottish Executive.
  - In Northern Ireland, the current edition of the Building regulations (Northern Ireland) issued by the Department of the Environment for Northern Ireland.
  - In the republic of Ireland the installation must be carried out by a REGISTERED GAS INSTALLER and also conform to the relevant parts of:
    - a) The current edition of IS 813 “Domestic Gas Installations”
    - b) All relevant national and local rules in force.

Where no specific instructions are given, reference should be made to the relevant British Standard Code of Practice.

## 3.2 Ventilation requirements.

Normal adventitious ventilation is usually sufficient to satisfy the ventilation requirements of this appliance. In GB reference should be made to BS 5871 Part 2 and in IE reference should be made to the current edition of IS 813 “Domestic Gas Installations” which makes clear the conditions that must be met to demonstrate that sufficient ventilation is available.

## 3.3 The Atmosphere sensing device (ASD).

The appliance is fitted with an A.S.D (Atmosphere sensing device). If the appliance closes down after a period of operation for no apparent reason, the consumer should be informed to stop using the appliance until the installation and appliance have been thoroughly checked. The A.S.D will shut the appliance down if an unacceptable amount of harmful products of combustion accumulate. Under no circumstances should the A.S.D be altered or bypassed in any way. Only a genuine manufacturers replacement part should be fitted. The individual A.S.D components are not replaceable.

## 3.4 Fireguard requirements.

A fireguard complying with BS 8423 should be fitted for the protection of young children, the elderly, the infirm or pet animals.

# INSTALLER GUIDE

## 3.5 Room considerations.

**3.5.1** This appliance must not be installed in any room that contains a bath or shower or where steam is regularly present.

**3.5.2** An extractor fan may only be used in the same room as this appliance, or in any area from which ventilation for the appliance is taken, if it does not affect the safe performance of the appliance. Note the spillage test requirements detailed further on in this manual. If the fan is likely to affect the appliance, the appliance must not be installed unless the fan is permanently disconnected.

**3.5.3** Note that soft wall coverings (e.g. embossed vinyl, etc.) are easily affected by heat. They may scorch or become discoloured when close to a heating appliance. Please bear this in mind when installing.

## 3.6 Chimney preparation.

**3.6.1** If the appliance is intended to be installed to a chimney that was previously used for solid fuel, the flue must be swept clean prior to installation. All flues should be inspected for soundness and freedom from blockages.

**3.6.2** Any chimney damper or restrictor should be removed. If removal is not possible, they must be secured in the open position.

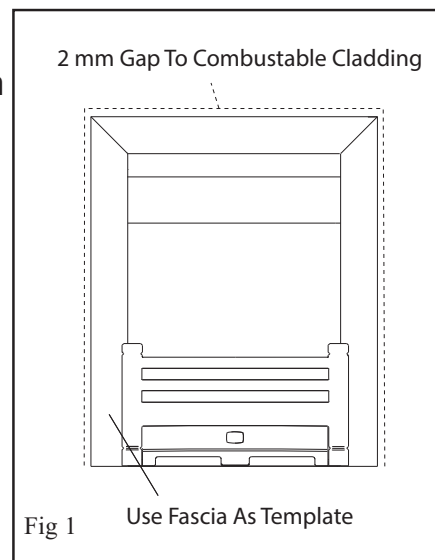
## 3.7 Fireplace preparation.

**3.7.1** If the fireplace opening is an under floor draught type, it must be sealed to stop any draughts.

**3.7.2** The front face of the fireplace should be reasonably flat over the area covered by the convection box top and side flange seals to ensure good sealing. These faces should be made good if necessary. The fireplace floor should be reasonably flat to ensure that a good seal with the convection box can be made.

**3.7.3** If the appliance is to be fitted against a wall with combustible cladding, the cladding must be removed from the area covered by the fascia / trim. The cladding must also not touch the fascia / trim (See fig 1). We suggest that the actual fascia / trim is used as a template to mark the area for combustible cladding removal and that this area is increased by at least 2mm all round.

**3.7.4** If the fireplace opening is greater than the acceptable dimensions given in this guide, do not use the back of a fire surround or marble to reduce the opening. This may cause cracking of the surround back or marble.



# INSTALLER GUIDE

## 3.8 The hearth.

The appliance must be mounted behind a non-combustible hearth unless the conditions of section 3.10.1.1 are met (N.B. conglomerate marble hearths are considered as non-combustible). The appliance can be fitted to a purpose made proprietary class “O”-150°C surround. The hearth material must be at least 12mm thick. The periphery of the hearth (or fender) should be at least 50mm above floor level to discourage the placing of carpets or rugs over it. The surface of the hearth must be sufficiently flat to enable the bottom of the front surround and the bottom front cover to be aligned horizontally. Any excessive unevenness (uneven tiles, Cotswold stone, etc.) should be rectified. The appliance must not stand on combustible materials or carpets.

## 3.9 Fireplace clearances.

**3.9.1** The minimum height from the base of the fireplace opening to the underside of any shelf made from wood or other combustible materials

*Dream, Masquerade, Excelsior, Petrus & Allure models (Figure 2):*

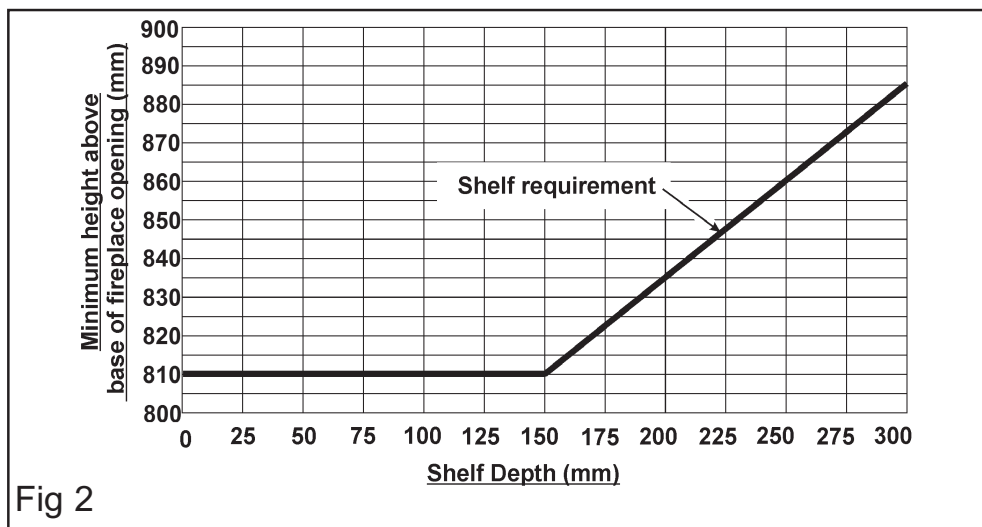


Fig 2

# INSTALLER GUIDE

**3.9.2** The minimum allowable distance from the outside of the appliance fascia/trim to a corner wall having combustible material or any other combustible surface which projects beyond the front of the appliance is shown below.

A 50mm access clearance from a non-combustible surface is necessary at the left side (See figure below).

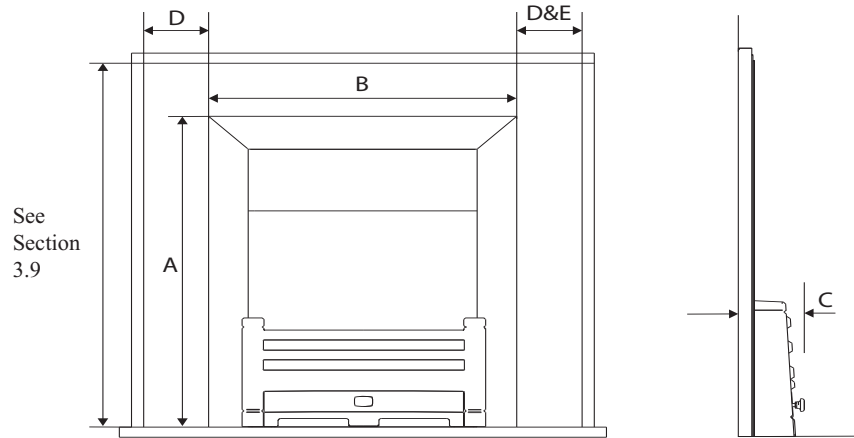


Fig 3

Key	Description	Dream, Masq., Excelsior, Petrus	Allure Standard Flat	Allure Standard Return	Allure Inlay Flat	Allure Inlay Return
A	Height ( mm )	636	615			
B	Width ( mm )	518	506			
C	Depth into room ( mm )	94	90	100	95	100
D	Minimum <b>mandatory</b> clearance to <b>combustable</b> surfaces projecting beyond the front of appliance ( mm )	100				
E	<b>Recommended</b> clearance to <b>non - combustable</b> surfaces for access purposes ( mm )	50				

# INSTALLER GUIDE

## 3.10 Installation options.

In the United Kingdom, as supplied, the appliance can be installed in the following situations: -

### 3.10.1 Conventional fireplace and hearth.

To a fireplace complete with surround and hearth as shown in figure 4 and complying with BS1251 after removal of the fireback and sufficient material behind the fireback for a debris catchment space. The required fireplace and debris catchment area are shown in figure 5.

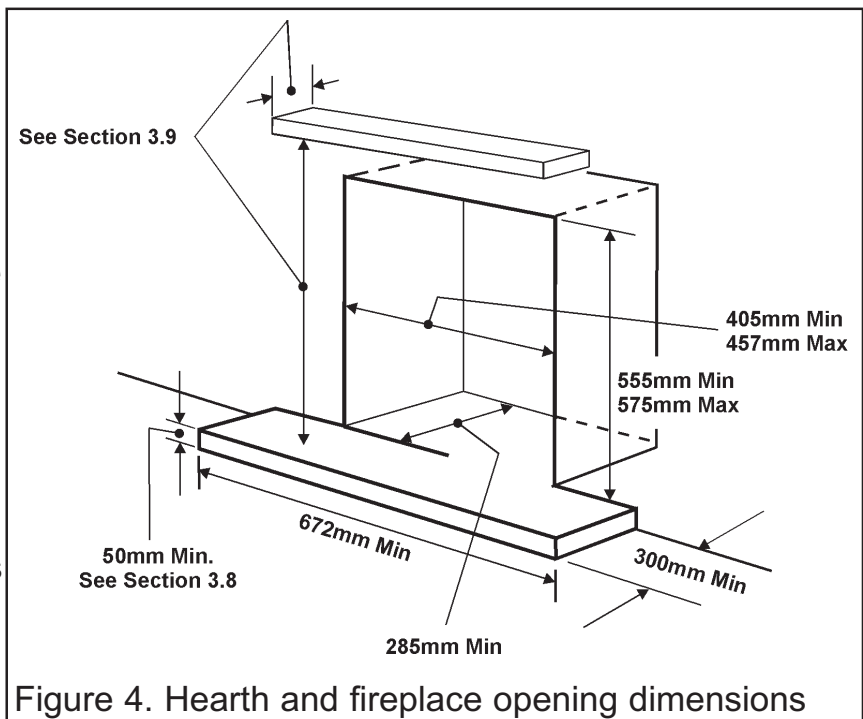


Figure 4. Hearth and fireplace opening dimensions

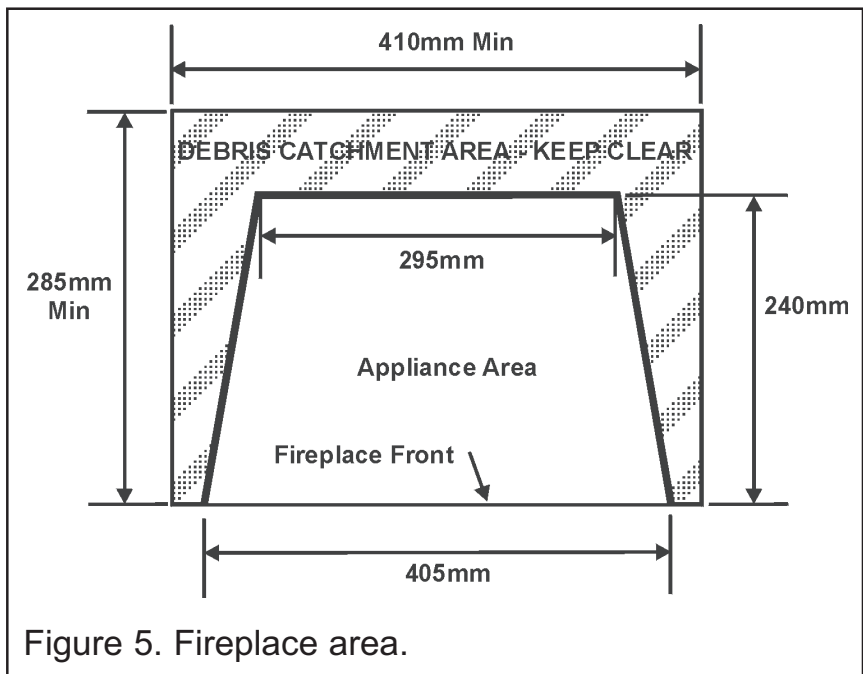


Figure 5. Fireplace area.

# INSTALLER GUIDE

## 3.10.1.1 'Hole-in-the-wall' Installations

– It is recommended that a hearth should be installed as in section 3.8.

### – All firefront models

If, when using the Allure or Dream/Masquerade/Excelsior/Petrus firefront a reduced depth hearth is fitted, the fire must be installed so that the distance from the base of the fireplace opening in the wall to the finished floor level is at least 100 mm. It is recommended that the reduced hearth has a depth from the fixing plane of the fire of 100mm minimum. This is necessary to support the lower front casting. Where there is no floor covering or carpet and the floor is of a type that is likely to be covered in such a way in the future then the distance from the base of the fireplace opening in the wall to the floor level should be increased to at least 175mm.

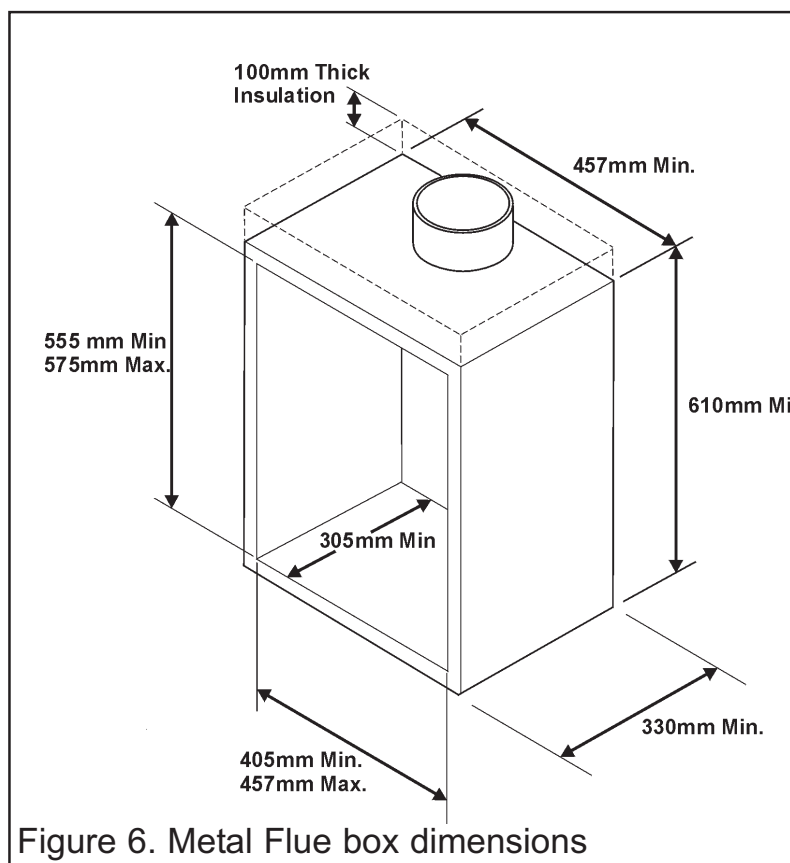
– To protect from the risk of burns and ignition of clothing a tactile separator shall be used. The hearth detailed in section 3.8 meets the requirements for a tactile separator. If this is not used then a 672mm long fender, kerb, horizontal bar, or other barrier, being fixed not less than 50mm above floor level and positioned 300mm in front of the fixing plane of the fire will meet the requirement.

## 3.10.2 Metal flue box and hearth.

The appliance can be installed to a fireplace incorporating a metal flue box complying with the constructional requirements of the current edition of BS 715 and with a flue conforming to BS EN 1856 part 1. The dimensions of the flue box must conform to those shown in figure 6.

The top of the metal flue box must be covered with a 100mm layer of mineral wool or equivalent insulation (See figure 6).

**Important Note:** Where the flue box has a base sheet that is single wall (i.e. a single metal sheet) the flue box must be mounted on a non-combustible hearth. The hearth material must be at least 12mm thick.



# INSTALLER GUIDE

## 3.10.3 Precast concrete or clay flue block system and hearth.

To a precast concrete or clay flue block system conforming to BS1289 with dimensions as in figure 7. The current versions of BS1289 and BS EN 1858 recommend that there should be an air space or insulation between the flue blocks and the plaster because heat transfer may cause cracking on directly plastered flues. However, generally this appliance is suitable for installations under all circumstances unless there is a history of cracking problems.

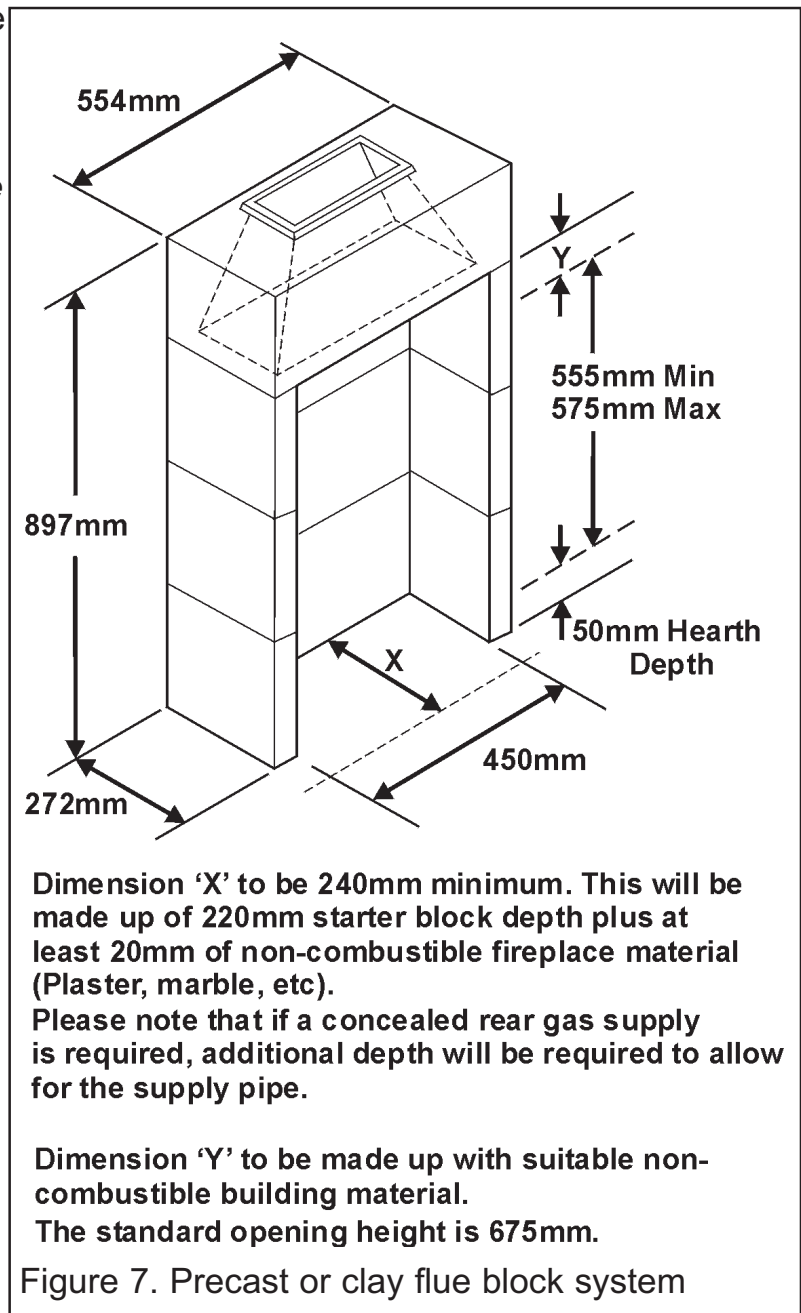
Remember that faults such as cracking may be caused by poorly built and restrictive flues, e.g. mortar extrusions, too many bends, flue heights below three metres, restrictive terminations etc.

## 3.11 Flues.

1. Suitable flues and minimum flue sizes are as follows: -

*It should be noted that, as with many appliances, sharp bends or horizontal runs in metal flues at the top of the system can be a cause of problems in these types of installation.*

- 225mm x 225mm conventional brick flue.
- 125mm or 175mm diameter lined brick or stone flue.
- 200mm diameter factory made insulated flue manufactured to BS4543.
- 175mm diameter flue pipe. See BS6461 Part 1 for suitable materials.
- Single wall, twin wall or flexible flue liner with a minimum diameter of 125mm. The materials to be used are stainless steel or aluminium as specified in BS EN 1856 Part 1. The liner must be sealed to the surrounding area above the fireplace opening and to the top of the chimney. An approved terminal must be fitted.
- A properly constructed precast concrete or clay flue system conforming to BS1289 or BS EN





# INSTALLER GUIDE

1858. This system is only suitable if the conditions stated in section 3.10.3 are met.

**2.** The flue must conform to BS 5440: Part 1 in design and installation.

The flue, measured from the bottom of the fireplace opening to the bottom of the terminal, shall be not less than 3m in actual vertical height. When calculated in accordance with BS 5440: Part 1 Annex A, the minimum **equivalent** height of the flue shall be 2.0m of 125mm dia. flue pipe.

**3.** The flue must not be used for any other appliance or application.

**4.** Proprietary terminals must comply with BS 715 or BS 1289. Any terminal or termination must be positioned in accordance with BS 5440 Part 1 to ensure that the products of combustion can be safely dispersed into the outside atmosphere. Where the appliance is connected to an unlined brick chimney it is generally unnecessary for the chimney pot to be replaced or for a terminal to be fitted unless the flue has a diameter smaller than 170mm.

## **3.12 Propane fires.**

Propane gas appliances must not be installed in a room that is built entirely below ground level (See BS 5871 Part 2).

## **3.13 The Benchmark Scheme**



GDC Group is a licensed member of the Benchmark Scheme which aims to improve the standards of installation and commissioning of domestic heating and hot water systems in the UK and to encourage regular servicing to optimise safety, efficiency and performance. Benchmark is managed and promoted by the Heating and Hotwater Industry Council.

It places responsibilities on both manufacturers and installers. The purpose is to ensure that customers are provided with the correct equipment for their needs, that it is installed, commissioned and serviced in accordance with the manufacturer's instructions by competent persons and that it meets the requirements of the appropriate Building Regulations.

The Benchmark Checklist (on the inside back pages of this guide) can be used to demonstrate compliance with Building Regulations and should be provided to the customer for future reference.

Installers are required to carry out installation, commissioning and servicing work in accordance with the Benchmark Code of Practice which is available from the Heating and Hotwater Industry Council who manage and promote the Scheme.

Visit [www.centralheating.co.uk](http://www.centralheating.co.uk) for more information.

At the time of commissioning, complete all relevant sections of the Benchmark Checklist located on the inside back pages of this document.

# INSTALLER GUIDE

## 4. PACK CONTENTS

Carefully remove all the contents. Take special care in handling the ceramic pieces. Take care not to bend or distort the slide control linkage when handling the fascia / trim. Check that all the listed parts are present and in good condition.

The items required for this appliance are packed in sections.

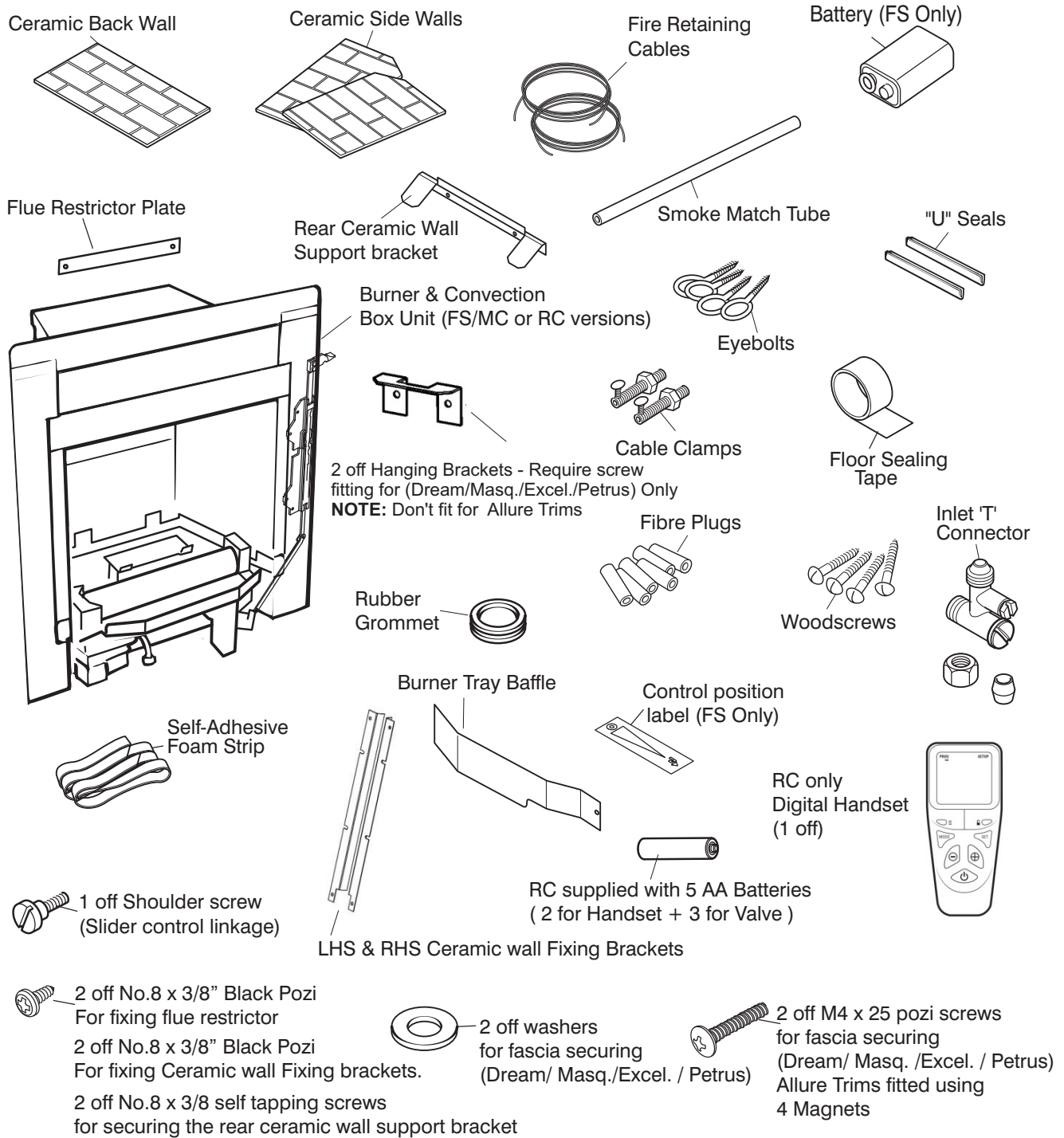
### Section 1 - Fire unit contains:

- 1 Burner and convection box unit (Slider control (FS) or Manual Control (MC)).
- 2 Hanging brackets - prefitted

**NOTE:** Not required for Allure Trims (Held in place by magnets)

- 1 LHS Ceramic wall fixing bracket
- 1 RHS Ceramic wall fixing bracket
- 2 No.8 x 3/8" Screws (For rear ceramic wall support bracket).
- 1 Inlet 'T' connector including pressure test point, nut and olive for 8mm inlet pipe.
- 2 Small "U" seals (For convection box side flanges).
- 1 Strip of floor sealing tape.
- 6 Fibre / wooden plugs (Four for eyebolts / screws and two for floor fixing).
- 4 Woodscrews.
- 2 Fire retaining cables.
- 2 Cable clamps.
- 4 Eyebolts.
- 1 Rubber grommet.
- 1 Flue restrictor.
- 3 No.8 x 3/8" Screws (For flue restrictor).
- 1 Rear ceramic wall support bracket.
- 1 Slider control knob - FS Only
- 2 M4 x 7mm screws (black) - FS Only
- 1 Knurled shouldered screw (For control linkage fixing). - FS Only
- 1 Slider control label. - FS Only
- 1 PP3 Battery. - FS Only
- 5 AA Batteries - RC Only
- 1 Digital Handset - RC Only
- 1 Smoke match tube.
- 1 Length of self adhesive foam seal.
- 2 M4 x 25mm machine screws  
(For Dream/Masq./Excelsior/Petrus fascia securing).
- 2 Washers  
(For Dream/Masq./Excelsior/Petrus fascia securing)
- 1 Literature pack.
- 1 Ceramic fuel effect pack including a fuel effect (Not shown), a ceramic back wall and a pair of ceramic side walls (LHS & RHS).

# INSTALLER GUIDE



# INSTALLER GUIDE

## Section 2A - Cast Fascia Pack (including fret)

- Dream, Masquerade, Excelsior & Petrus contents;
- Cast Fascia.
- Model chosen Fret pack inc Fret, Ashpan with knob + Screen.

### NOTE:

- Hood & fixing brackets (Dream, Masq. & Excelsior only)  
*(Used on other Valor ranges - Not required on any 945 model engines - **Do not Fit**)*
- Top Louvre & fixing brackets (Petrus only).  
*(Used on other Valor ranges - Not required on any 945 model engines - **Do not Fit**)*

## Section 2B - Allure range - Metal Trim Pack (excluding fret);

- Metal Trim (Standard Return / Flat or Inlay style chosen).
- 4 Magnets.

+

## Section 2C - Allure Fret Pack chosen; (supplied separate to engine carton)

- Fret, Ashpan with knob + Screen.

# INSTALLER GUIDE

## 5. FIREPLACE CHECK

### 5.1 Soundness for appliance attachment.

Two primary methods of retaining the appliance are provided: -

- 1) By fixing to the fireplace front surround.
- 2) Using concealed tension cables fixed to the rear of the fireplace opening together with secondary fixing to the fireplace floor.

The methods are detailed in section 9 of this manual. Before selecting the retention method, consult with the customer. Method 2 is provided for instances where drilling holes in the front surface of the fireplace surround is unacceptable to the customer or otherwise impractical. *N.B. It is unwise to attempt to drill into marble without the proper tools and equipment.*

If method 1 is chosen, make sure that the front surround area is sound enough to take the fibre / wooden plugs and woodscrews. If necessary, make sound with suitable cement.

If method 2 is chosen, make sure that the areas at the back and towards the centre of the fireplace floor are sound enough to take the eyebolts and screws. If these areas have deteriorated due to prolonged use, they should be made sound with suitable cement.

### 5.2 Fireplace flue pull.

Close all doors and windows in the room in which the appliance is to be installed.

After confirming with a match that smoke is drawn into the flue, light a 13 gram smoke pellet and check that there is a definite flow through the flue. Verify outside that the smoke exits from one terminal only and that the termination is suitable.

Observe, where possible, upstairs rooms and loft spaces for signs of escaping smoke indicating a defective flue. If there is not a definite flow warm the flue for a few minutes and repeat the smoke pellet test. If there is still no definite flow the flue may need remedial work – **Do not fit the appliance until there is a definite flow through the flue.**

## 6. IGNITION CHECK

**945FS** - Before attempting to install, it is worth checking that the electronic ignition system performs satisfactorily.

Fit the battery to the ignition block located below the burner tray at the left side (See figure 9). The locations for the +ve and -ve terminals are marked on the battery holder.

Rotate the control pivot bracket clockwise as far as it will go and hold in this position (See figure 10). This should close the ignition circuit and sparks should be seen tracking from the electrode pin to the pilot tip (See figure 10).

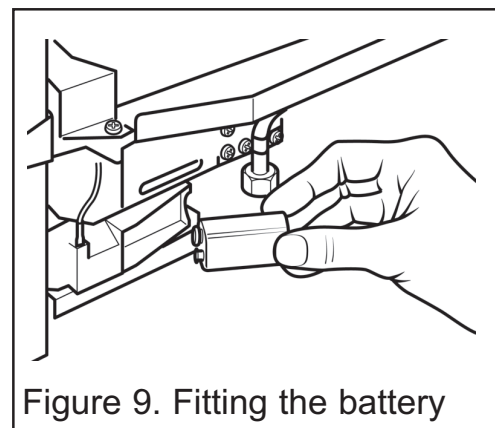
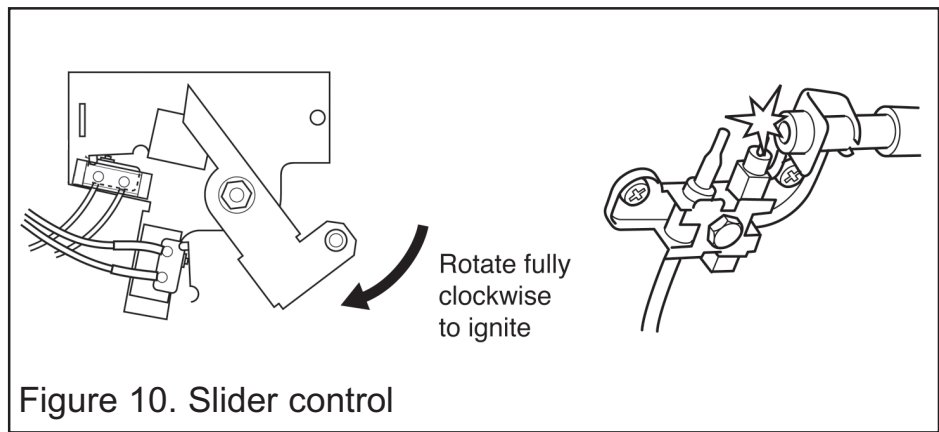


Figure 9. Fitting the battery

# INSTALLER GUIDE

If there are no sparks make the following checks.

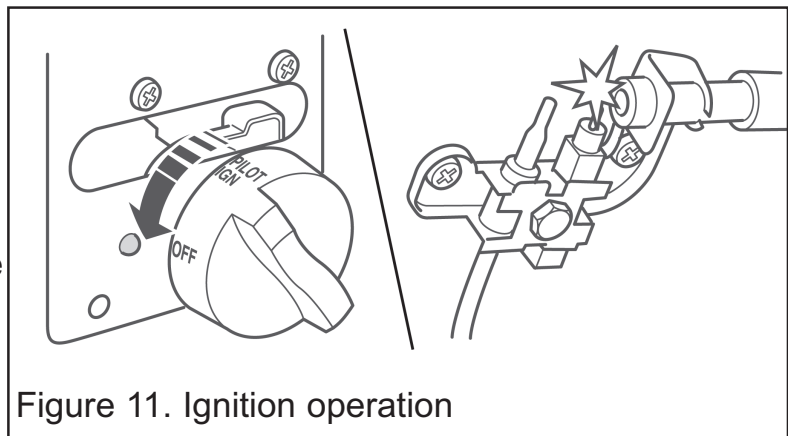
- Check condition of battery and that it is correctly fitted.
- If the above is satisfactory, check the ignition circuit and components - see section 17 which is the servicing and parts replacement section in this guide.



**945MC** - Before attempting to install, it is worth checking that the ignition system performs satisfactorily.

Set the control knob to the off position.

Depress the control knob and rotate it anticlockwise to the pilot ignition position. A 'click' will be heard as the integral piezo operates. A spark should be seen between the



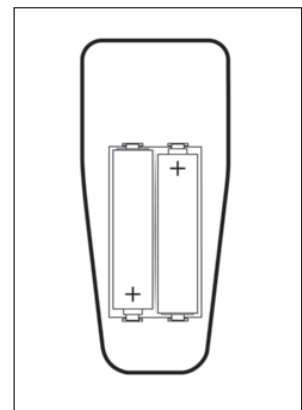
electrode and pilot tip. If there is no spark check the following: -

- Ensure that the electrode lead is connected to the terminal at the base of the electrode.
- If the above is correct, check for damage to the electrode lead.

## **Remote Control (945RC) Model**

### **Fitting batteries into the remote control handset.**

The remote control handset is battery powered. There are two 1.5 Volt Alkaline 'AA' size batteries supplied. Remove the rear battery compartment cover from the remote control handset. Fit the batteries in to the handset. Replace the cover.



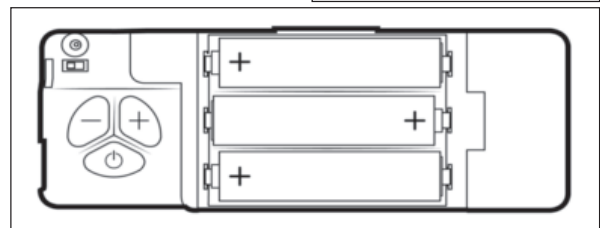
### **Fitting batteries into the Valve.**

The gas valve is battery powered.

There are three 1.5 Volt Alkaline 'AA' size batteries supplied.

Locate the batteries in the valve, remove the front battery compartment cover from the valve and fit the batteries.

It is important that the positive (+ve) and negative (-ve) symbols on the battery match those of the illustration inside the battery holder. Replace the cover.



# INSTALLER GUIDE

## Setting the handset and receiver relationship.

The receiver and handset are linked before leaving the factory but if either component are replaced the receiver will have to be set to learn the handset / remote code. Do this as below:

- Picking up and holding the handset will unlock the keypad and the green light will illuminate a solid green.

**NOTE:** Ensure the small isolation slide switch on the top left of the gas fire control is slid to the right, (I) position to turn the power on to the valve.

- Place the handset near the fire, i.e. within a metre. No need to hold the handset at this time.

- Simultaneously press and hold the - and + buttons on the gas valve control (not the handset) until the red light on top left of fire control begins to flash rapidly, (it will take about 5 seconds to start flashing), then immediately release the - and + buttons and quickly pressing just the power button on the gas fire control valve. Note: Pressing of the power button must be done within 1 second of the red light coming on. If not done quickly enough, then the above must be repeated until done correctly.

- When done correctly you will hear an audible sound from the handset and the display will show the symbol " | - | " and the green light on the handset will be flashing. You now have 60 seconds to accept the pairing. To do this pick up and hold the handset and hold it like a handshake to activate the unlocking of the keypad and press and hold the "SET" button for a few seconds.

- You will hear a few beeps from the handset and the display will change and enter the setup menu .

- Whilst maintaining your grip on the handset, you can now set the display functions of the handset. Momentarily pressing and releasing the SET button advances through the settable features and pressing and releasing the MENU button returns to the previous one. Pressing + or - changes the displayed information, for example :-  
o H 24 – This is the 12 hr or 24 hours time format. Pressing and releasing + or - will change H24 into H12. Once happy with that setting, press and release SET to move to the day of the week.

o Day of the week is Mo, Tu, We, Th, Fr, Sa, Su. Again pressing and releasing +/- will change the day and when happy press and release SET to move to the hour of the day. (Pressing Mode button

- Within the subsequent 20 seconds press the 'DOWN' button on the handset until you hear an additional long signal confirming the code is set

**NOTE:** Please inform the customer that this is a one time setting and is NOT required when changing batteries in the handset or battery box.

## Factory reset of handset

As stated in 10.6 the remote receiver is already linked, but in the event it is needed to reset the remote receiver back to factory reset, "breaking all links to the valve" follow these steps;



# INSTALLER GUIDE

Activate the handset, then press and hold SET until SETUP is flashing. Keep pressing SET until CA0 appears on the screen, use + or – to change to CA1. Then press SET.

The handset should now read TESC r5 (7ESC r5), and is ready to be paired with the valve.

## Checking the ignition operation.

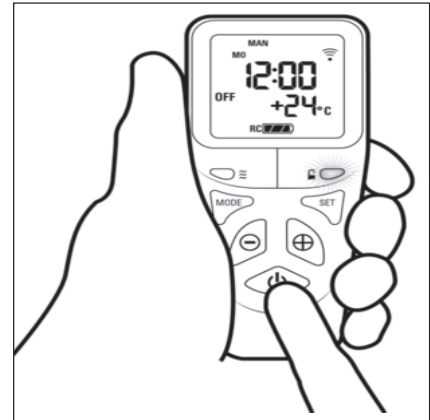
– Picking up and holding the handset will unlock the keypad and the green light will illuminate a solid green.

- Press and hold the 'ON' power button ( approx 1 - 2 seconds), then release as soon as the word "PILOT" appears at the bottom left of the display this confirms the start sequence has begun.

– There will be a slight delay and several sparks should be seen between the electrode and pilot tip.

– On sensing a flame is not present the burner unit will shut off. If there are no sparks check the following:

– Ensure that the electrode lead is connected to the terminal at the base of the electrode. If the above is correct, check for damage to the electrode lead and that the batteries have been correctly fitted.



## Error codes

During the setup process Error codes could be generated on the handset (i.e. E00).

These can be reset/cleared by;

Activate the handset, then press and hold 'ON' power button continuously for 3 - 5 seconds. If the errors repeat first ensure brand new Alkaline batteries are fitted into the remote control and valve as low powered batteries can generate different error codes. Failing that please contact our customer service for further assistance.

## 7. GAS SUPPLY CONNECTION

A nut and olive are provided for an 8mm pipe inlet connection to the 'T' connector at the bottom front of the appliance. The 'T' connector can be rotated to allow a connection from any direction and includes a valve for isolating the gas supply and a pressure test point. The supply pipe must be rigid material. Flexible pipe must not be used. **Concealed Supply Pipe Connection.** If a concealed connection from inside the fireplace is required then, **before the appliance is fitted into the fireplace** it will be necessary to extend the supply line so that it will project through the hole in the back of the convection box and run to the 'T' connector at the front. The pipe run from the supply line up to the rear opening in the convection box must be kept away from the area which will be taken by the convection box when it is installed (See figure 5). Note that the centre of the appliance inlet 'T' connector is 25mm above the fireplace floor. The inlet 'T' connector should be fitted to the supply pipe at this stage.



# INSTALLER GUIDE

## 8. PREPARING APPLIANCE FOR INSTALLATION

1. Detach the burner unit from the convection box by removing two screws (See figure 13). Lift the burner unit clear.
2. Fit the two “U” section seals to the bottom edges of the convection box side flanges (See figure 12).
3. **It is important that the grommet supplied in the loose parts pack is fitted securely to the hole in the rear of the convection box.**

**4. For concealed connection only:**

Pierce the grommet to allow the pipe to pass through it. The grommet should envelop the pipe. If the hole is larger than the pipe, seal it with tape.

**Do not pierce the grommet unless the supply pipe is to pass through it.**

**5.** This appliance is supplied with a rear ceramic support bracket. Fit this using two screws supplied (See figure 14)

**6.** This appliance is supplied with a flue restrictor for use where the flue draught is excessive. Generally we recommend the restrictor is NOT fitted where a precast flue, metal flue box or a flue liner is used, however, certain flues may work sufficiently to warrant its use. There may however, be circumstances where fitting the restrictor causes the fire to fail the spillage test. In such cases the restrictor will have to be removed. After removal conduct the spillage check again. The restrictor is packed loose with the appliance and is fixed with three screws (See figure 15).

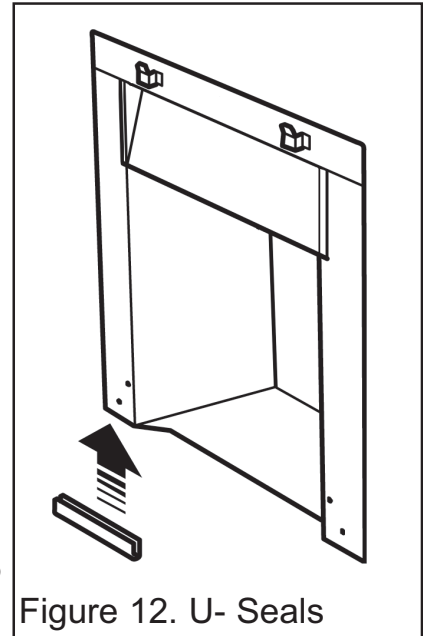


Figure 12. U- Seals

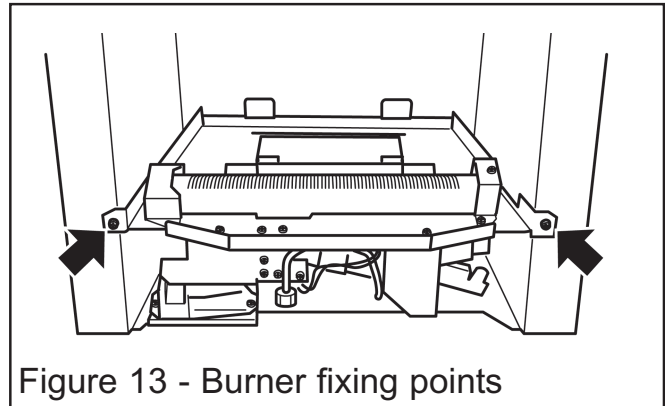


Figure 13 - Burner fixing points

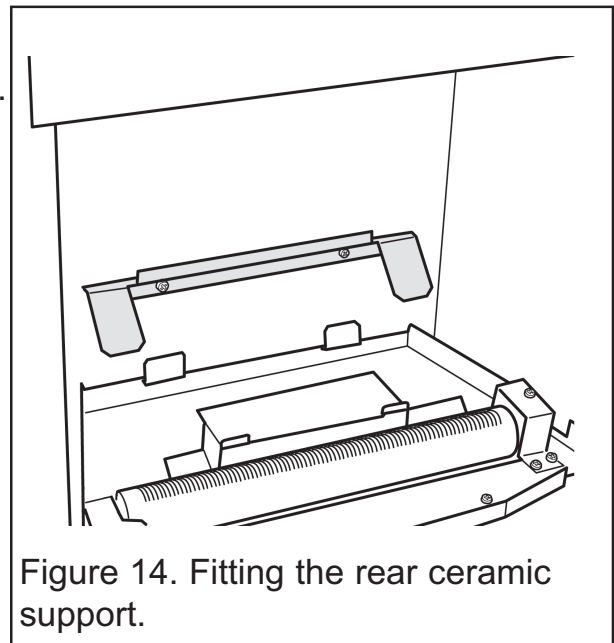


Figure 14. Fitting the rear ceramic support.

# INSTALLER GUIDE

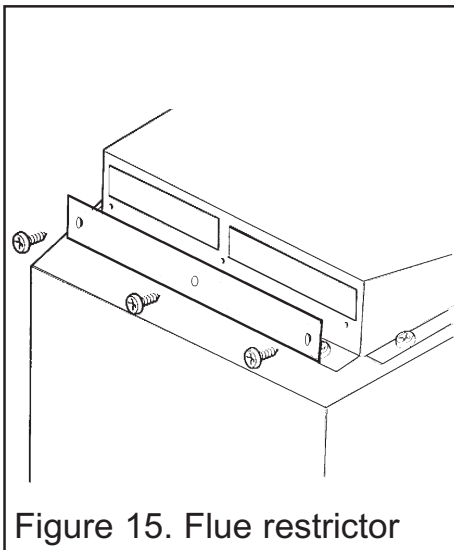


Figure 15. Flue restrictor

7. There is a length of self adhesive foam seal supplied with the fire. This will need to be fitted to the outer rear edges of the side and top flanges of the convection box. Cut a 485mm length of foam

seal. Be careful not to stretch the seal when measuring.

Remove the protective backing from the foam seal and fit this to the rear of the top flange (See figure 16).

Cut two 580mm lengths. Fit these to the rear outer edges of the side flanges. Ensure that there is no gap between the foam seals where they meet at the top flange (See figure 16)

The foam seal should touch at this point. Ensure that there is no gap between the seals.

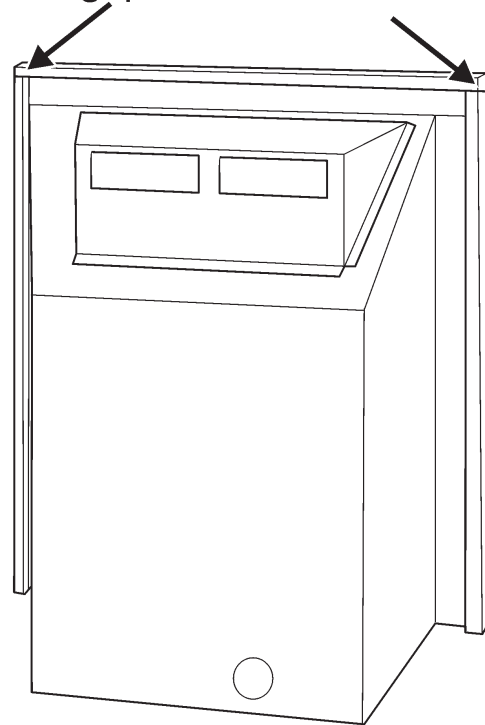


Figure 16. Fitting the foam seal

## 9. CONVECTION BOX INSTALLATION

### 9.1 Method 1 - Front fixing to fireplace surround.

1. Make sure that the fireplace front surround area is sound enough to take the fibre / wooden plugs and woodscrews. If necessary, make sound with suitable cement.

2. Place the convection box centrally in the fireplace in the position in which it is to be permanently installed. If a concealed connection is being used, insert the convection box into the fireplace feeding the supply pipe through the pierced hole in the rear grommet.

3. Mark the fireplace front surround through the four fixing holes in the side flanges of the convection box (See figure 17).

4. Remove the convection box. Drill four holes in the fireplace front surround at the

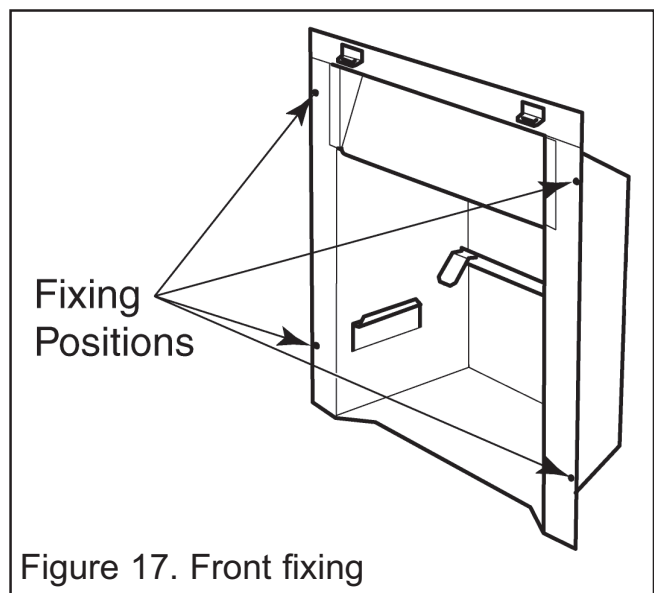


Figure 17. Front fixing

# INSTALLER GUIDE

marked positions using a suitably sized masonry drill bit for the wall plugs supplied.

5. Insert a fibre / wooden plug into each hole.

6. Place the convection box back in position in the fireplace.

7. Fit a woodscrew through each hole in the convection box flanges and tighten to seal the box to the fireplace surround.

## 9.2 Method 2 - Cable retention and floor fixing.

1. Make sure that the relevant areas at the fireplace back or floor are sound enough to take the eyebolts and screws. If these areas have deteriorated due to prolonged use they should be made sound with suitable cement.

2. Drill four holes in the rear wall of the fireplace for the eyebolt plugs. The holes should be drilled within the range of

positions shown in figure 18 using a suitably sized masonry drill bit for the wall plugs supplied. The holes should be equidistant each side of the centre line of the fireplace to ensure that the appliance finishes centrally in the opening when tension is applied to the cables.

3. Insert a fibre / wooden plug into each hole. Use the fibre / wooden plugs supplied with this appliance - **Never use plastic plugs instead of the fibre / wooden plugs supplied.** Screw the eyebolts into the plugs. Make sure that the bolts are secure.

4. Place the convection box unit close to the fireplace but allow sufficient access into the fireplace opening so that the cables can be threaded through the eyebolts and returned through the back of the convection box. If a concealed connection is being used, insert the convection box into the fireplace feeding the supply pipe through the pierced hole in the rear grommet.

5. The convection box has two holes at each side of the convected air opening. Insert one end of each cable (one cable each side) from the back through the

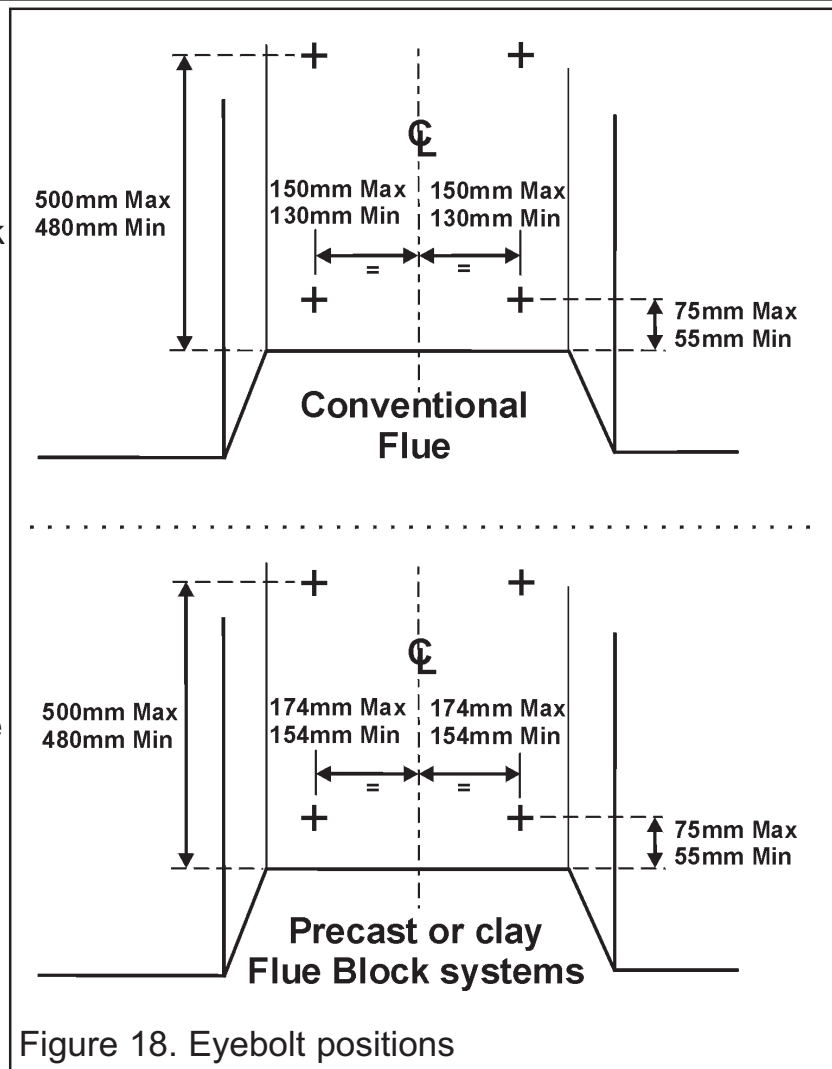


Figure 18. Eyebolt positions

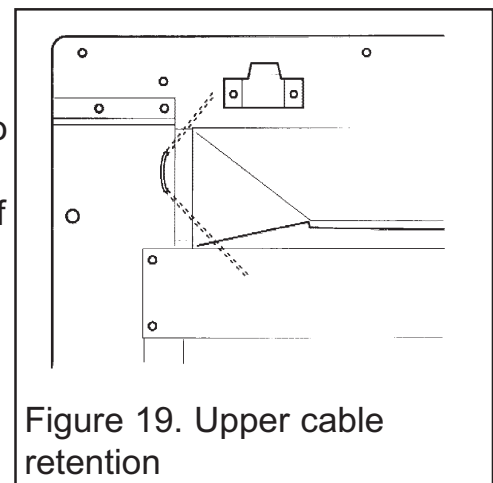


Figure 19. Upper cable retention

# INSTALLER GUIDE

lower of the two holes and return the end through the upper of the holes (See figure 19). Give the cables a pull so that they grip against the convection box flanges.

**6.** Thread the cables through the eyebolts. Return the cables through the holes near the bottom of the convection box back

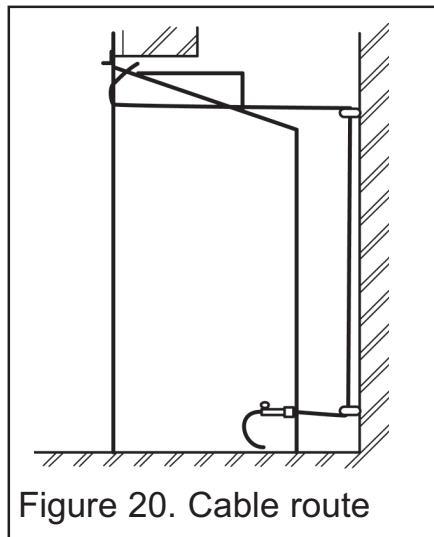


Figure 20. Cable route

panel (See figure 20) **(For precast or clay block flue systems return the cables through the slotted holes in the side of the convection box).**

**7.** Place the convection box fully back into the fireplace opening so that it is sealed against the fireplace front surround.

**8.** Drill a hole into the fireplace floor through each of the two holes in the base of the convection box using a suitably sized masonry drill bit for the wall plugs supplied (See figure 21).

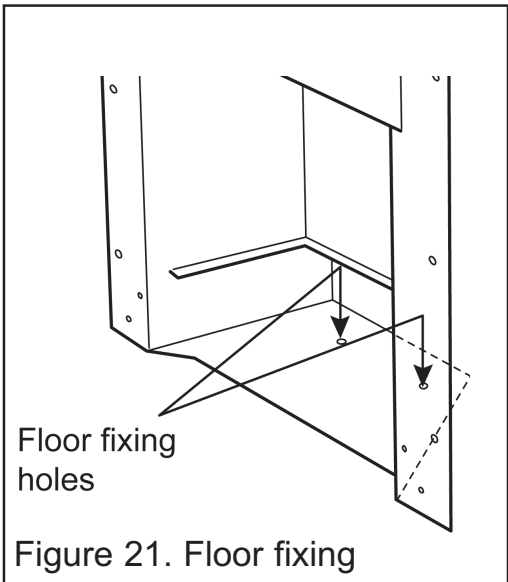
**9.** Insert a fibre/ wooden plug into each hole. Use the fibre / wooden plugs supplied with this appliance - **Never use plastic plugs instead of the fibre / wooden plugs supplied.** Fit a woodscrew in each plug and tighten.

**Always screw the base into position before applying tension to the cables. This will ensure a tight seal between the top of the convection box and wall.**

**10.** Fit a cable retainer over the bottom end of each cable.

**11.** Pull each cable taut. Push the cable retainers hard up against the back panel. The end of the cable adjuster will pass into the hole. Tighten the screws in the retainers so that they clamp the cables in position. Apply tension to the cables by turning the hexagonal adjusters by hand (See figure 22).

**12.** Inspect the installation of the convection box against the fireplace surround. If the



Floor fixing holes

Figure 21. Floor fixing

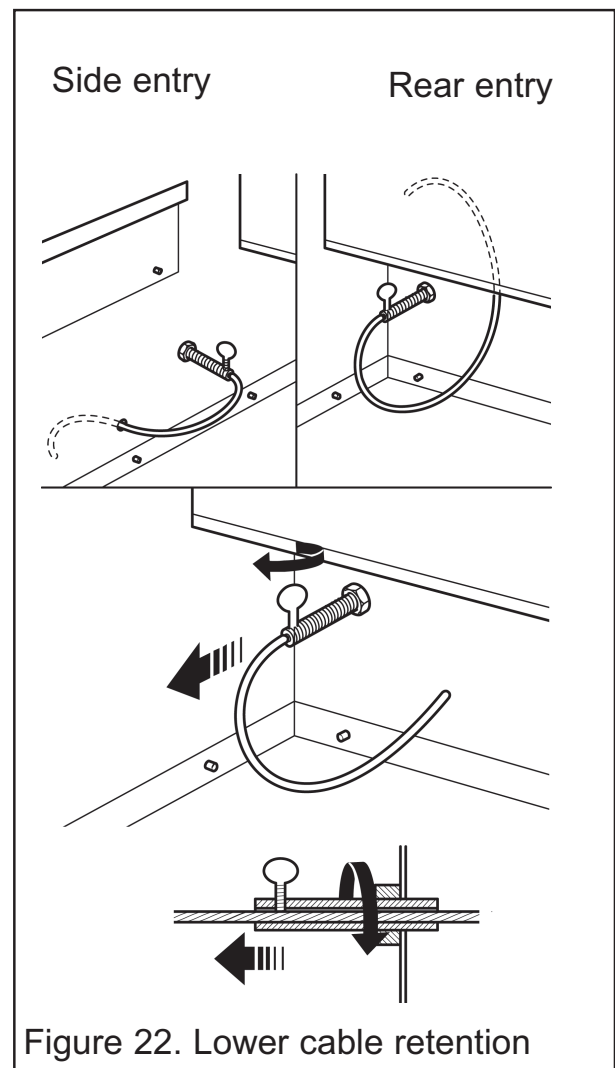


Figure 22. Lower cable retention

# INSTALLER GUIDE

convection box is aligned squarely and the sealing is satisfactory, fully tighten the cable retainers.

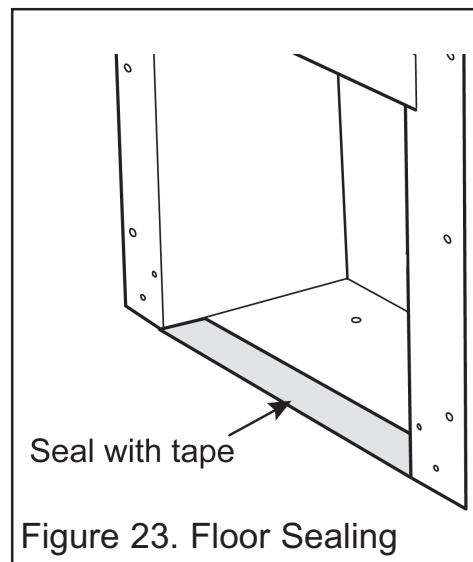
**13.** If the convection box is not correctly aligned, release the tension on the cables by slackening the screws and turning the hexagonal adjusters fully anticlockwise. The convection box should then automatically realign itself. Pull each cable taut again and push the cable retainers back against the back panel. Again, tighten the screws in the retainers and apply tension to the cables by turning the hexagonal adjusters clockwise as far as possible.

**14.** Feed the free length of the cables into the gap between the inner and outer back panels so that they are available to allow easy removal and refitting of the appliance during subsequent service calls. **Do not cut off the free lengths of cable.** On precast flue installations feed the cables into the small holes at the base of the side panels (See figure 22)

### 9.3 Sealing floor front - All installations.

Using the floor sealing tape supplied, seal the bottom of the convection box to the fireplace and hearth floor (See figure 23).

**Make sure that the whole length of the front edge of the convection box is fully sealed.**



## 10. BURNER AND SUPPLY PIPE INSTALLATION

### 10.1 Burner and supply pipe installation.

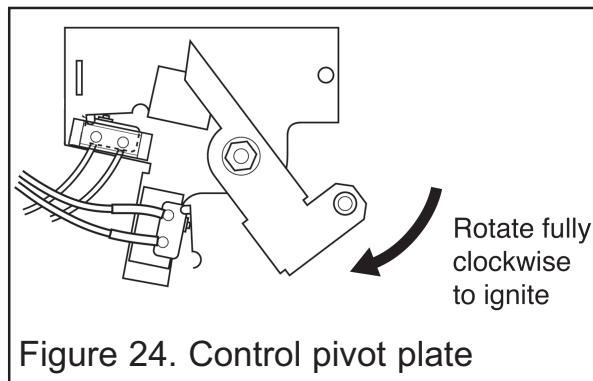
1. Refit the burner unit to the convection box with two screws.
2. Connect the supply line to the appliance.
3. Turn on the gas supply and pressure check the installation pipework for gas soundness. In the United Kingdom (GB) check in accordance with the current edition of BS 6891. In the Republic of Ireland check in accordance with the current edition of IS 813 "Domestic Gas Installations".

### 10.2 Preliminary burner checks.

Some burner operations can be checked at this stage. Checking now will mean that less disassembly will be required if any problems are found. **A full check should still be made, however, after final installation.**

#### 10.2.1 - 945FS - Lighting the burner

1. If closed, open the isolating valve at the inlet 'T' connector and replace the end cap.
2. Rotate the control pivot bracket clockwise as far as it will go and hold in this position (See figure 24). This should close the ignition circuit and simultaneously open the gas tap allowing the gas to flow to the pilot. Wait a few seconds



# INSTALLER GUIDE

while the air is purged. The electronically generated sparks should light the pilot. The pilot should then light the main burner at its low setting. There may be a delay of up to four seconds between the pilot lighting and ignition of the gas at the main burner. This is normal and is due to the time required to fill the main burner compartment with sufficient gas for ignition.

**3.** When the burner is operating properly, gradually turn the control pivot bracket anti-clockwise. The burner flames should gradually increase until the pivot bracket is nearly at its furthest anti-clockwise rotation. Rotating further until the pivot bracket comes to a stop should then turn the burner and pilot off.

**4.** If the above checks are satisfactory, continue with the installation. If not, check the control and ignition circuitry and components as described in the servicing section of this guide.

## **10.2.2 - 945MC - Lighting the burner.**

**1.** If closed, open the isolating valve at the inlet elbow.

**2.** Depress the control knob and rotate it **slowly** anticlockwise to the pilot ignition position. A 'click' will be heard as the integral piezo operates. A spark should be seen between the electrode and pilot tip.

**3.** Turn the control knob clockwise to the 'Off' position. Repeat this operation until a flame appears at the pilot. There may be a delay before the pilot lights due to air being purged from the system. When a flame appears at the pilot keep the control knob depressed and hold the pilot ignition position for five seconds. When the control knob is released the pilot flame should remain lit.

## **10.2.3 - 945MC - Operating the burner.**

**1.** When the pilot burner is operating properly, gradually turn the control knob anti-clockwise to 'HIGH' (Depress the knob slightly to get past the pilot ignition position). The main burner should now light. Depress the control knob slightly to release from the 'HIGH' position and turn back (clockwise) to 'LOW'. While turning, the burner flames should gradually become lower but remain alight. Depress the control knob slightly to release from the 'LOW' position and turn back (clockwise) to the 'Pilot ignition' position. The main burner should extinguish but the pilot should remain alight. Depress the control knob slightly and turn back (clockwise) to turn OFF.

This will extinguish the pilot. If the above checks are satisfactory, continue with the installation. If not, check the control and ignition circuitry and components as described in the servicing section of this guide.

## **10.2.4 - 945RC - Operating the burner.**

### **- Lighting the fire.**

If closed, open the isolating 'T' connector valve.

– Picking up and holding the handset firmly will unlock the keypad and the green light will illuminate a solid green.



# INSTALLER GUIDE

- Press and hold the 'ON' power button ( approx 1 - 2 seconds), then release as soon as the word "PILOT" appears at the bottom left of the display this confirms the start sequence has begun to ignite the three burners on min setting.

**NOTE:** There is no "pilot only" setting on the RC model.

## - Adjusting flame height.

- To adjust the flame, hold the handset to enable the buttons to work and press and hold the + button to increase the flames accross all 3 burners together.

Tapping the button will adjust the flames step by step. Holding the button will skip through the steps. Similarly, press the - button to reduce the flame height.

## - Turning off.

- To turn off the fire, hold the handset to unlock the buttons and then press the power button. The fire will turn off.

**NOTE:** Wait for the word 'OFF' to appear on the display before trying to start again.

## 10.3 Inlet pressure check.

The appliance is pre-set to give the correct heat input at the inlet pressure shown in section 2 of this manual. No adjustment is necessary.

1. Ensure that the fire is turned OFF before removing the pressure test point sealing screw. Check the inlet pressure by fitting a pressure gauge at the test point. The test point is on the inlet 'T' connector (See figure 25). Check the pressure with the appliance alight and set at maximum output.
2. After checking, turn off the appliance. Remove the pressure gauge and replace the test point sealing screw.
3. Relight the appliance. Turn to the maximum output position and test around the sealing screw for gas soundness with a suitable leak detection fluid.

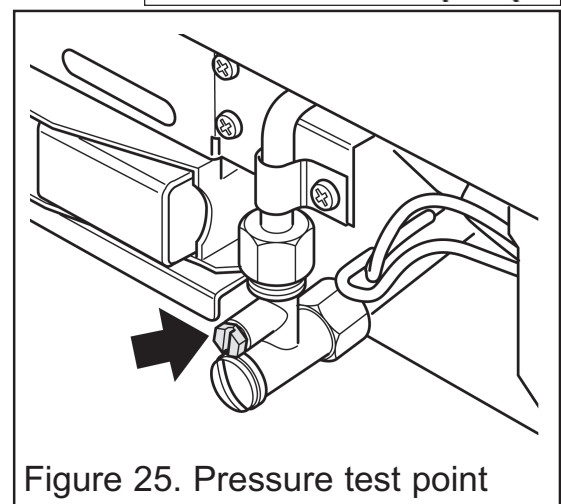
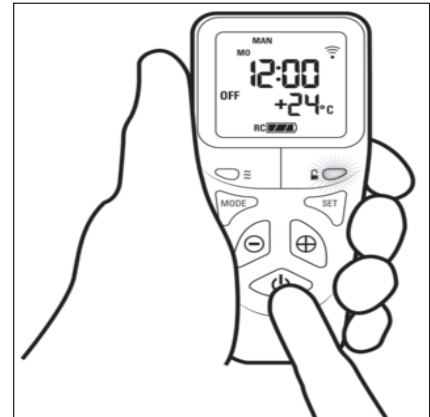
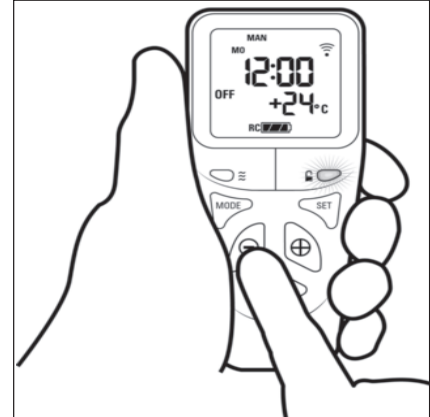
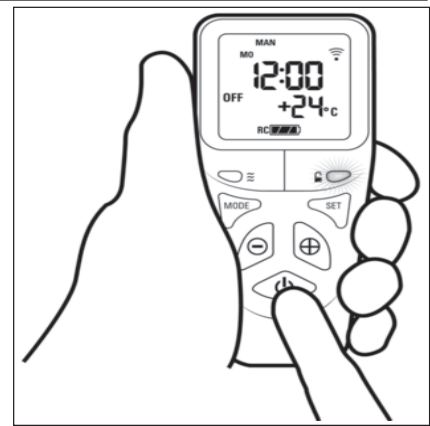


Figure 25. Pressure test point

# INSTALLER GUIDE

When the above checks from section 10.2 and 10.3 have been completed, turn the appliance OFF and close the isolating valve on the inlet 'T' connector. This will prevent any accidental gas flow / ignition whilst fitting the ceramic fuel effect and fascia.

## 11. WALLS & FIXING BRACKETS INSTALLATION

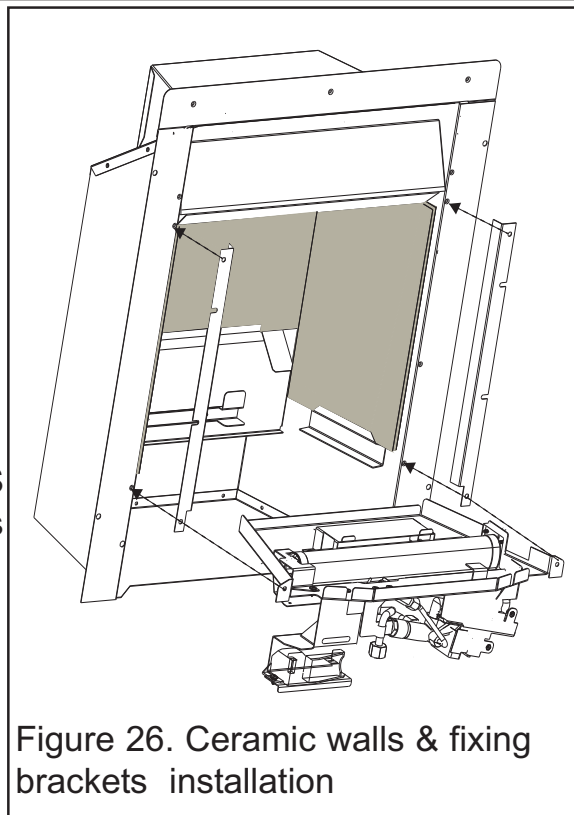
**1. The ceramic wall liners MUST be fitted before the burner unit is in place.**

The three ceramic walls can be found in the ceramic fuel effect box. There is a rear wall together with a LHS wall and RHS wall. Fit the ceramic rear wall first inside the "L" bracket on the back face of the burner compartment. Push the ceramic wall flat against the back face of the burner compartment. (See figure 26).

**2.** In the accessory pack there are LHS and RHS metal fixing brackets which secure the side liners in place to the front of the convector box. Using two screws from the accessory sheet secure the brackets as shown at the top of each bracket.

**3.** Re-fit the burner unit using the two screws previously removed to secure the bottom of the two fixing brackets and the burner unit onto the convector box.

**NOTE:** 945FS only before fitting the RHS metal fixing bracket unscrew and remove the slider unit to allow the bracket to securely locate behind. Once fitted replace the slider unit using the same 2 screws



## 12. FASCIA/TRIM AND CONTROL LINKAGE

**Before fitting the fascia/trim ensure that the information on the back pages of the owner guide have been completed.**

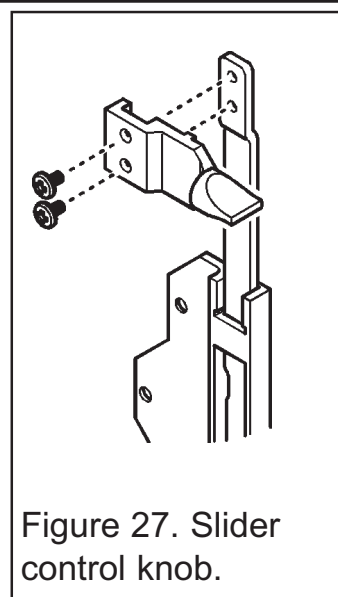
**12.1** Fitting the fascia/trim for all models.

**1.** The (FS)slider control knob is supplied separately. Fit the slider control knob to the slider using two M4 x 7mm screws supplied (See figure 27).

**2. Dream/Masquerade/Excelsior** - Assemble the fascia as shown on the assembly instructions supplied with the fascia (Excluding the hood if supplied with 945 engines).

**Allure models** - No further trim assembly required.

**Petrus models** - The louvre should be assembled after the fascia has been fitted as outlined in step 5 on page 32.





# INSTALLER GUIDE

## 3. Allure Trims

Unscrew and **remove completely the two hanging brackets fitted** on the top of the convector box then place 4 magnets onto the frame so they are located in each of the four corners. Insuring there is no interference to the FS slider models motion.

## 4. Dream/Masquerade/Excelsior/Petrus

i) Place the fascia against the fireplace front surface so that the two retaining plates at the back of the fascia are above the two upper retaining brackets at the top of the convection box.

ii) Lower the fascia making sure that the rear retaining plates locate fully into the retaining brackets on the convection box (See figure 28). If the inlet pipe runs along the front of the fireplace, the bottom of the fascia will have to be swung forwards to clear the pipe while lowering the casting.

iii) Swing the bottom control linking bar towards the centre of the fire to clear the fascia.

iv) Align the bottom fixing holes with those in the convection box. Fix the bottom of the fascia to the convection box with two screws and washers (See fig29).

v) **Petrus models only** - In the pack is a louvre top assembly and mounting brackets these are **not** to be fitted on the 945 engines. They are used on other engine models.

**5. 945FS only** - Supplied with the fire is a self adhesive control position label. Peel the backing from the label and place as in figure 28.

**6.** Fit the burner baffle to the front flanges of the burner. To do this, place the baffle against the front flanges of the burner and lower into position. The return edges on the rear of the baffle should slot over the front flanges of the burner (See figure 30).

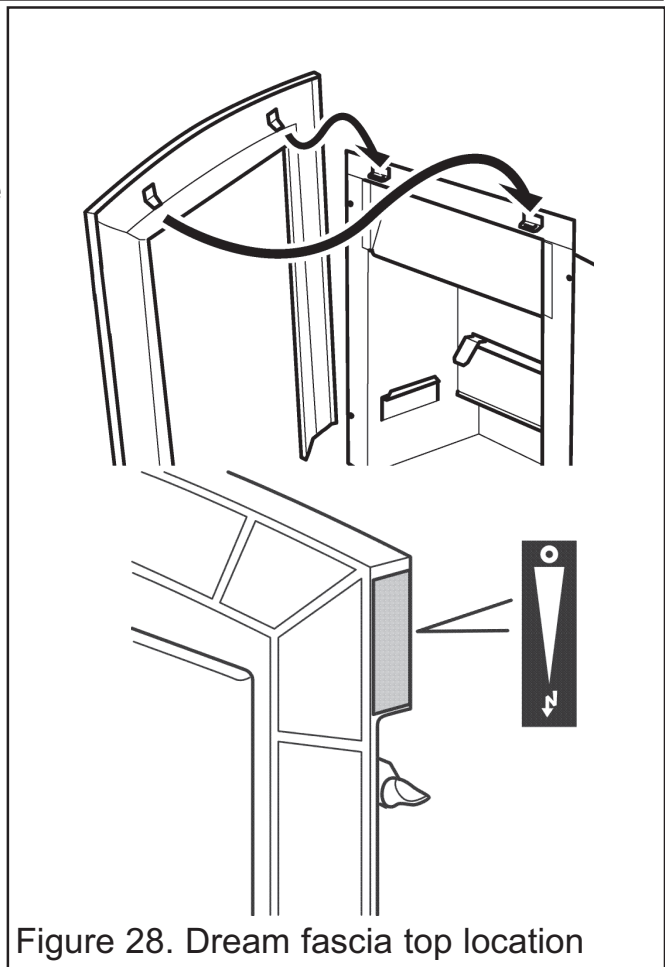


Figure 28. Dream fascia top location

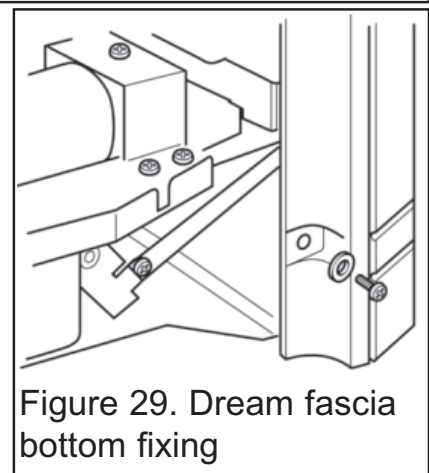


Figure 29. Dream fascia bottom fixing

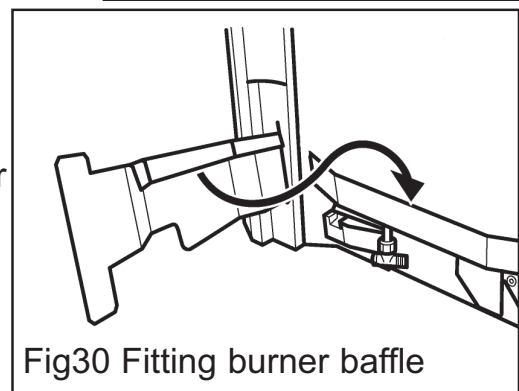


Fig30 Fitting burner baffle

# INSTALLER GUIDE

## 7. 945FS - Fitting the control linkage

Align the hole near the bottom of the control linking bar with that in the control pivot bracket. Join them with the knurled shouldered screw and screwdriver - NOT finger tight only (See figure 31).

Make sure that the isolating valve is closed. Slide the control knob fully from top to bottom and back to make sure that the slide and pivot mechanisms move smoothly.

Note that some resistance should be felt when the control knob reaches the “burner fully on” position.

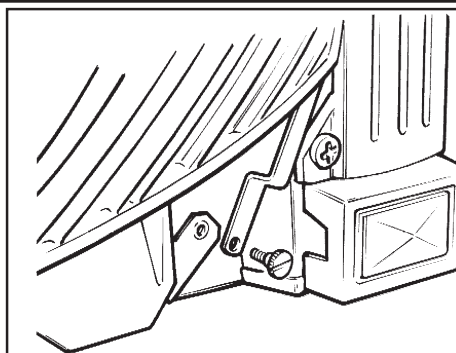


Figure 31. Control bar and pivot bracket (Fascia/trim may be different from one shown).

**Important note: If the 945FS slider jams or fails to operate remove the fascia and ensure that the right hand screw that secures the burner module to the convection box is screwed in fully.**

## 13. FITTING THE CERAMIC FUEL EFFECT

The installer and owner guide for the ceramic fuel effect is supplied with the ceramic fuel effect. It is important that the fitting guide for the ceramic fuel effect be placed inside or attached to this guide and handed to the customer following completion of the ‘Final review’ section.

Ensure that the fire is OFF. Open the isolating valve at the inlet ‘T’ connector and replace the end cap. Light the fire, turn to the maximum output position and test around the sealing screw for gas soundness with a suitable leak detection fluid

## 14. FIREFRONT / ASHPAN COVER INSTALLATION

### 14.1 All models

1. Place the fret casting centrally on top of the hearth in front of the fascia/trim.
2. Place the ashpan casting in position.

## 15. FULL OPERATING CHECKS


### 15.1 - 945FS - **Checking the control settings.**

The control position markings on the fascia are shown in figure 36.

*Please note:*

- When first turned on from cold, the flames will appear predominantly blue.
- When operating the fire for the first time, some vapours may be given off which could set off smoke alarms in the vicinity. These vapours are quite normal with new appliances. They are totally harmless and will disappear after a few hours use.

1. Make sure the control knob is at the off position (At topmost position marked “O” on the fascia/trim).

2. Slide the control knob to the bottom (ignition) position marked . Retain in this

# INSTALLER GUIDE

position to ignite the pilot. The burner should ignite at its lowest setting within 4 seconds of the pilot igniting. Keep at this position for a further 10 seconds to allow the pilot flame to stabilise.

**3.** Release the control knob. The control knob should automatically spring up to the low heat position. If for any reason the slider control does not spring up, raise the slider to the topmost (Off) position and investigate why the slider is not operating correctly. If the flames go out at this stage or when checking the rest of the setting positions, try the full lighting sequence again. If the flames fail after two attempts, investigate the pilot unit.

**4.** Gradually slide the control knob up to increase the burner setting. The burner should be at its maximum setting at the high heat position shown in figure 32. You should feel a check to the control knob movement at this position.

**5.** Slide the control knob up past the high heat position to the off ("O") position at the top of the slide slot. Both pilot and main burner should go out. While cooling the ceramic fuel effect may make some crackling noises. This is quite normal.

## **15.1 - 1 - 945MC - Lighting the burner.**

**1.** If closed, open the isolating valve at the inlet elbow.

**2.** Depress the control knob and slowly rotate it anticlockwise to the pilot ignition position. A 'click' will be heard as the integral piezo operates. A spark should be seen between the electrode and pilot tip.

**3.** Turn the control knob clockwise to the 'Off' position. Repeat this operation until a flame appears at the pilot. There may be a delay before the pilot lights due to air being purged from the system. When a flame appears at the pilot keep the control knob depressed and hold the pilot ignition position for five seconds. When the control knob is released the pilot flame should remain lit.

## **15.1 - 2 - 945MC - Operating the burner.**

**1.** When the pilot burner is operating properly, gradually turn the control knob anticlockwise to 'HIGH' (Depress the knob slightly to get past the pilot ignition position). The main burner should now light. Depress the control knob slightly to release from the 'HIGH' position and turn back (clockwise) to 'LOW'. While turning, the burner flames should gradually become lower but remain alight. Depress the control knob slightly to release from the 'LOW' position and turn back (clockwise) to the Pilot ignition position.

The main burner should extinguish but the pilot should remain alight. Depress the control knob slightly and turn back (clockwise) to turn OFF.

This will extinguish the pilot.

## **15.1 - 3 - 945RC - Operating the burner - refer to section 10.2.4.**

If the above checks are satisfactory, continue with the installation. If not, check the control and ignition circuitry and components as described in the servicing section of this guide. While cooling the ceramic fuel effect may make some crackling noises. This is quite normal.

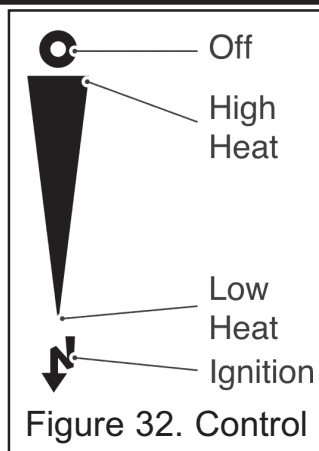


Figure 32. Control

# INSTALLER GUIDE

## 15.2 Check for spillage.

**A spillage check must be made before leaving the installed appliance with the customer. Make this with all the ceramic fuel effect pieces and complete fascia/trim and firefront in position.**

1. Close all doors and windows in the room containing the appliance.
2. Light the appliance and set the slide control to the maximum burning position.
3. Leave the appliance on for five minutes.
4. The smoke match should be placed horizontally into the convection box at the right hand side. There is a notch in the black cross member. Insert the tube so that the neck of its flared end is 5mm passed and in contact the cross member (See figure 33). The installation is satisfactory if the smoke is drawn into the appliance.

If the smoke is not drawn into the appliance leave the appliance alight at the maximum setting for a further ten minutes and then repeat the test. If the smoke is still not drawn into the appliance inspect the sealing to the fireplace surround. If the sealing is satisfactory but the appliance is installed with the flue restrictor (See section 8 point 8) remove the restrictor, reseal the appliance and retest. If smoke is still not drawn into the appliance

**disconnect the appliance and seek expert advice.**

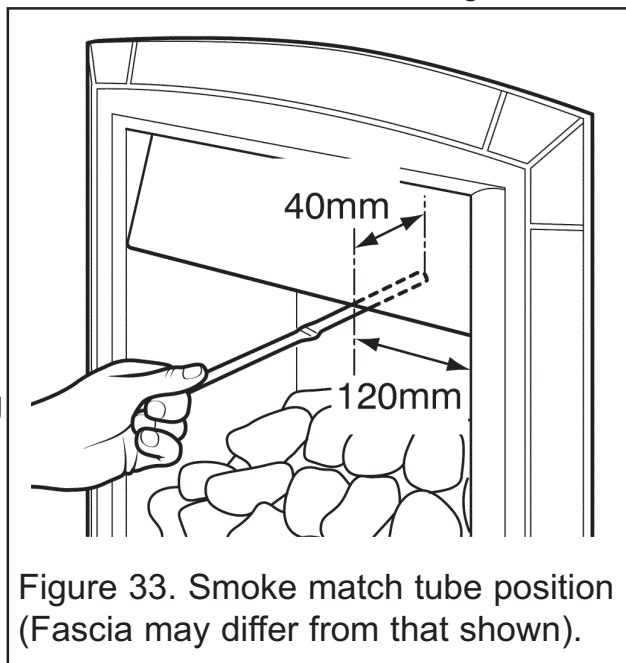


Figure 33. Smoke match tube position (Fascia may differ from that shown).

5. If the above test is satisfactory open all internal connecting doors, hatches, etc. in the room. Keep all doors and windows that open to the outside of the building closed. Recheck for spillage as above. If an extractor fan is installed in the same room as the appliance or a connecting room, check that spillage does not occur with the fan operating and all doors and other openings between the fan and the appliance open.

If the smoke is drawn into the appliance, continue with the installation. If the test is not satisfactory **disconnect the appliance and advise the customer of the cause of failure.**

## 15.3 Flame supervision and spillage monitoring system.

This pilot unit includes a system that will automatically shut off the gas supply if the pilot flame goes out or if there is insufficient oxygen due to spillage or poor ventilation.

Check that the system operates properly as follows;

1. Light the appliance. Set the slide control to the maximum burning position and leave for one minute.
2. Set the control to the 'Low' burning position. Isolate the gas supply at the inlet 'T' connector. The pilot and main burner will go out. **Note the time when the pilot goes out.** Listen for a snap sound at the gas tap. **Note the time when the sound is heard.** This sound is caused by an electromagnetic valve shutting off the gas supply through the tap. The valve is located

# INSTALLER GUIDE

in the body of the tap. The valve should operate **within 60 seconds of the pilot going out**. If the valve does not operate within this time limit do not allow the appliance to be used until the fault has been corrected.

**This monitoring system must not be adjusted, bypassed or put out of operation.**

**This monitoring system, or any of its parts, must only be exchanged using authorised parts.**

3. Open the isolating valve on the inlet 'T' connector. Screw on the end cap and test for leaks.

4. Set the slider (FS) / knob (MC) to the "Off" position.

## 16. FINAL REVIEW

**1. COMPLETE THE INFORMATION IN THE GAS FIRE COMMISSIONING CHECKLIST AND SERVICE RECORD OF THE OWNER GUIDE (See last pages of the OWNER guide).**

2. If a gap is visible between the inner sides of the fascia and the ceramic side walls, gently slide the walls forward.

3. Visually inspect the appliance. Clean off any marks incurred during installation.

4. Advise the customer how to operate the appliance. Point out that lighting instruction details are on the metal plate attached at the bottom of the appliance. Explain to the customer that the appliance has a flame failure & spillage monitoring system. Point out the explanation of this system shown in the owner guide under "Operating the fire". Advise that if the fire goes out for any reason, wait at least three minutes before relighting. Stress that if the monitoring system repeatedly shuts off the fire, the appliance should be switched off and a specialist should be consulted.

5. Advise the customer that they should read their owner guide before operating the fire and always follow the advice in the section headed "Cleaning your fire".

**6. Stress that no extra ceramic fuel effect pieces must be added over and above those supplied with the appliance and that any replacements must only be the authorised spares. Warn that ignoring this advice could cause incomplete clearance of the products of combustion with consequent health hazards.**

7. Advise the customer that the appliance will operate to its maximum potential if the flue is primed during the first 20 – 30 minutes of use. To do this, simply slide the control to its highest setting. This will also burn off any carbon deposits that may have formed during previous use. If using the appliance for long periods it is beneficial to change between settings. This will also help to remove any carbon deposits that may form during use.

8. Recommend that the appliance should be serviced by a competent person at least annually.

9. If the appliance is in premises in the United Kingdom occupied by a tenant, point out that by law a landlord must have any gas appliance, flue and pipework which is situated in a tenant's premises checked for safety at least every 12 months.

10. Advise that the fire may give off a slight odour while new. This is quite normal and it will disappear after a short period of use.

**11. Inform the customer that the Serial number for the appliance is located on the information label / swing plate, located behind the lower firefront casting / bottom front cover and underneath the burner module.**

12. Hand the literature pack with this guide to the customer.

- Always turn off the gas supply and allow the fire to cool completely before commencing any servicing (The appliance inlet ‘T’ connector incorporates an isolating valve).
- It is recommended that, at least once a year, the appliance is disconnected and the fireplace opening checked and cleared of any debris.
- This product uses fuel effect pieces and burner compartment walls containing Refractory Ceramic Fibres (RCF), which are man-made vitreous silicate fibres. Excessive exposure to these materials may cause irritation to eyes, skin and respiratory tract. Consequently, it is important to take care when handling these articles to ensure that the release of dust is kept to a minimum. To ensure that the release of fibres from these RCF articles is kept to a minimum, during installation and servicing we recommend that you use a HEPA filtered vacuum to remove any dust and soot accumulated in and around the fire before and after working on the fire. When replacing these articles we recommend that the replaced items are not broken up, but are sealed within a heavy duty polythene bag, clearly labelled as RCF waste. RCF waste is classed as a stable, non-reactive hazardous waste and may be disposed at a landfill licenced to accept such waste. Protective clothing is not required when handling these articles, but we recommend the use of suitable gloves to prevent irritation. We also recommend you follow the normal hygiene rules of not smoking, eating or drinking in the work area and always wash your hands before eating or drinking.
- This appliance does not contain any component manufactured from asbestos or asbestos related products.
- Check that the appliance is clean and that soot or debris is not blocking the gaps between the ceramic fuel effect pieces causing an imperfect flame.
- Check that soot or debris is not impairing the electrode spark or pilot burner.
- Check that soot or debris is not blocking any of the slots in the main burner.
- After servicing, make sure that the ceramic walls are replaced as described in this guide and the ceramic fuel effect pieces are replaced correctly as described in the installer and owner guide supplied with the ceramic fuel effect. The ceramic fuel effect guide may have been placed inside or attached to this guide.
- **Always test for gas soundness and spillage after servicing the appliance.**

# INSTALLER GUIDE

## 17.1 - 945MC/FS/RC - Checking the aeration setting of the burner.

1. The aeration shutter is factory set and should not require adjustment. If the shutter is not as shown in figure 34 and requires adjustment, loosen the two aeration shutter screws, slide the aeration shutter to the position shown in figure 34 and tighten the fixing screws.

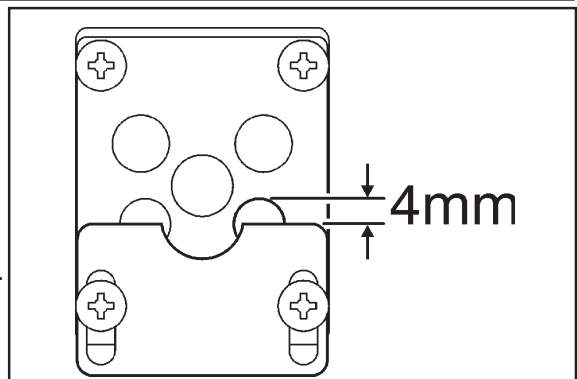


Figure 34. Aeration shutter setting

## 17.2 - 945FS - To remove the ignition microswitch.

See figures 35 & 36.

1. Remove the bottom front cover and the fire front casting.
2. Disconnect the leads from the ignition microswitch (The lower of the two microswitches - See figure 36).
3. Detach the microswitch and insulation pad by removing two screws.
4. Replace in the reverse order. Check that the microswitch operates correctly by fully closing it and observing that there are sparks at the pilot electrode.

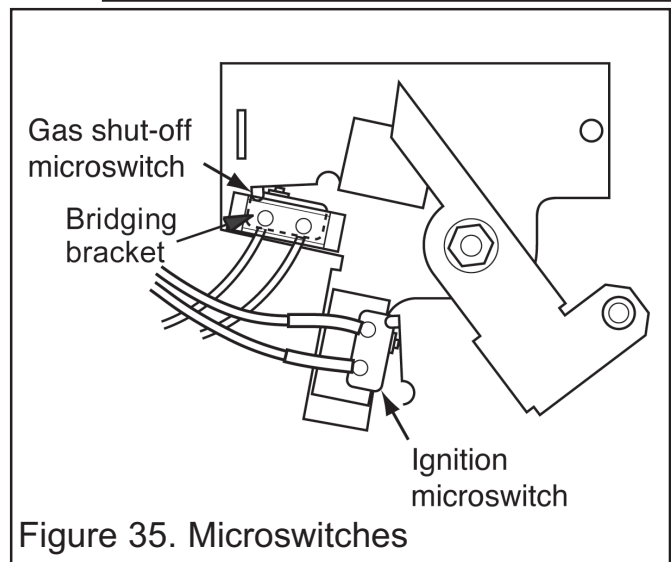


Figure 35. Microswitches

## 17.3 - 945FS - To remove the gas shut-off microswitch.

(See figures 35 & 36).

1. Remove the bottom front cover and the fire front.
2. Loosen the thermocouple nut to free the microswitch leads and pull the leads clear of the thermocouple interrupter block (See figure 40).
3. Detach the bridging bracket, microswitch assembly by removing two screws (See figure 35).
4. Replace in the reverse order. When refitting the leads to the interrupter block, make sure that they are secured firmly to give a good electrical contact.

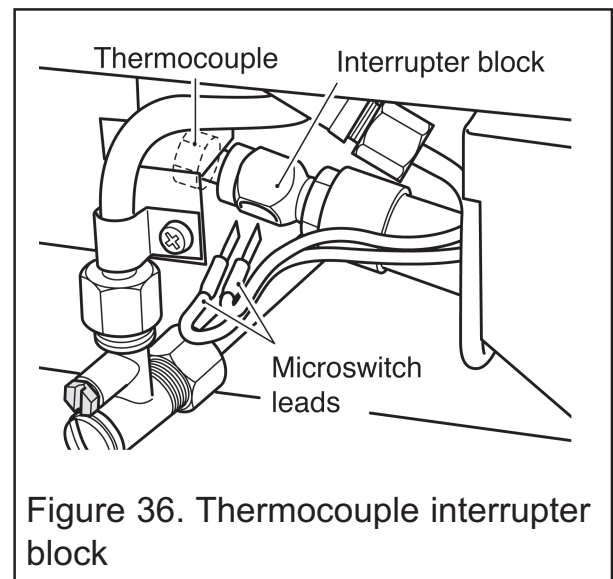


Figure 36. Thermocouple interrupter block

# INSTALLER GUIDE

## 17.4 - 945FS/MC/RC - To remove the fascia/trim.

### 1a) Dream/Masquerade/Excelsior/Petrus Models

- i)* Remove the fret casting/ashpan cover.
- ii)* Remove the two screws (and washers where fitted) securing the bottom of the fascia to the sides of the convection box (See figure 37).
- iii)* Carefully lift the fascia upward to clear the upper retaining brackets on the convection box (See figure 42). Pull the fascia clear and place carefully aside.
- iv)* Refit in the reverse order. Make sure that the fascia/trim is properly located over the upper retaining brackets. See section 12 of this guide for detailed fitting instructions.

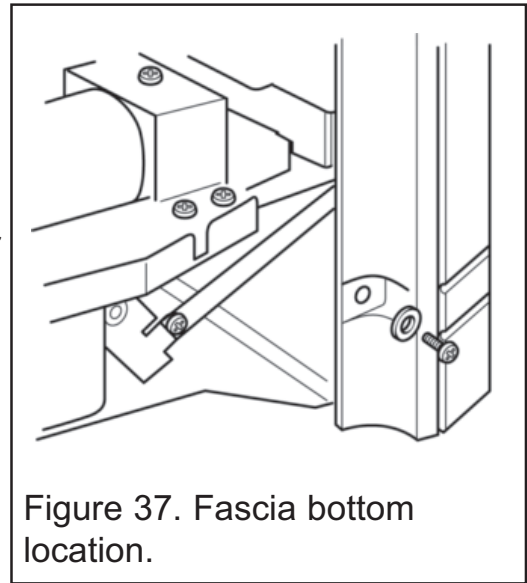


Figure 37. Fascia bottom location.

### 1b) - 945FS/MC/RC - Allure Models

- i)* Remove the fret casting/ashpan cover.
- ii)* Detach the trim from the convection box by pulling carefully the bottom section of the trim outwards. Do the same for the top section of the trim, removing the trim entirely from the convection box, making sure no magnets are lost.
- iii)* Refit in the reverse order. See section 12 of this guide for detailed fitting instructions.

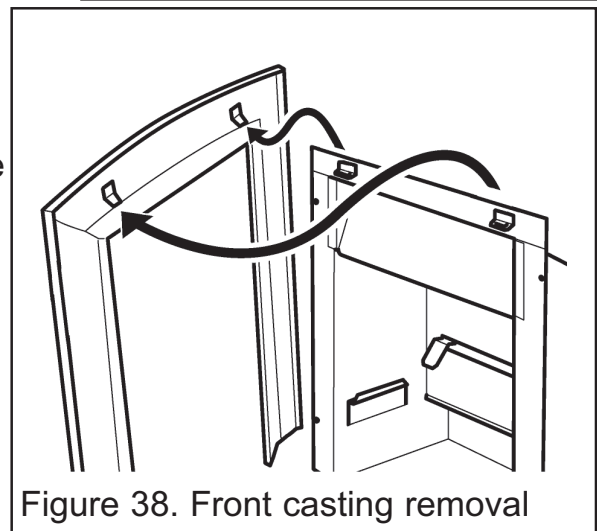


Figure 38. Front casting removal

## 17.5 - 945FS/MC/RC - To remove the complete burner unit.

1. Remove the bottom front, fire front castings and the fascia (See section 17.4).
2. Remove the ceramic fuel effect.
3. Close the isolating valve in the inlet 'T' connector. Support the inlet 'T' connector to avoid straining the pipework and disconnect the appliance from the 'T' connector.
4. Detach the burner unit from the convection box by removing two screws (See figure 39).
5. Replace in the reverse order.

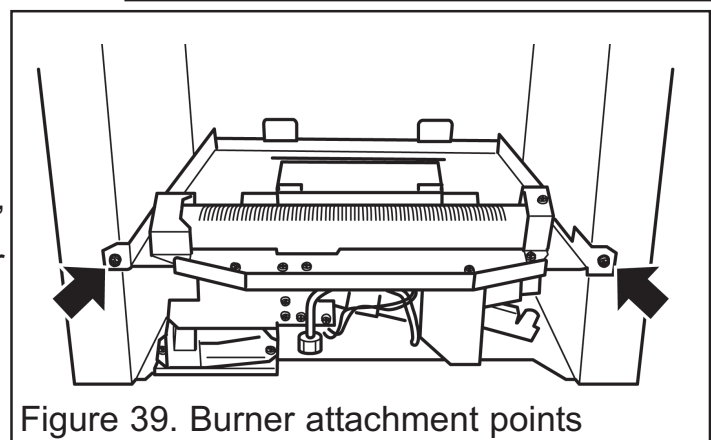


Figure 39. Burner attachment points



## 17.6 - 945FS - To remove the electronic ignition generator.

1. Remove the bottom front and fire front castings.
2. Remove the ceramic fuel effect.
3. Remove the battery.
4. Remove the spark lead.
5. Unscrew the four support bracket screws (See figure 40). The generator and its support bracket can now be moved forward. Be careful not to apply tension to the microswitch leads.
6. Remove the two fixing screws that attach the generator unit to the support bracket. The igniter generator can now be removed (See figure 40)
7. Remove the two leads to the switch and remove the spark lead. If necessary, mark them to ensure that they are replaced on to the correct terminals.
8. Replace the generator
9. Refit in the reverse order.

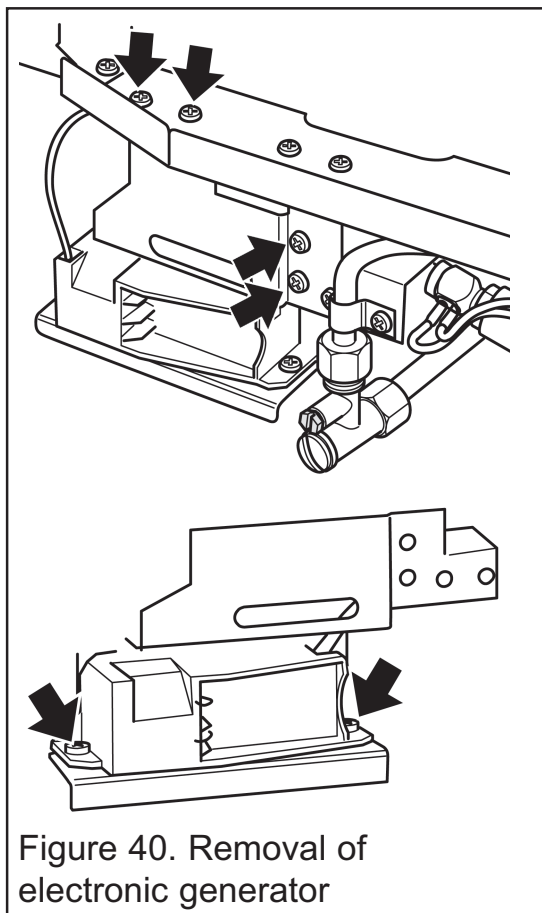


Figure 40. Removal of electronic generator

## 17.7 To remove the thermocouple interrupter block (See figure 40).

1. Remove the burner unit (See section 17.5).
2. Detach the thermocouple from the interrupter block by unscrewing the thermocouple nut.
3. Detach the two microswitch leads from the interrupter block.
4. Remove the interrupter block by unscrewing from the gas shut-off tap.
5. Refit in the reverse order. If the microswitch leads cannot be easily attached to the interrupter block when it is fully tightened to the gas shut-off tap, slacken it and rotate to allow the leads to be fitted. Retighten making sure that the leads remain in place in the interrupter block. Fit and tighten the thermocouple nut making sure that the leads are secured in the interrupter block to give a good electrical contact.

## 17.8 - 945FS/MC/RC - To remove the pilot unit.

1. Remove the burner unit (See section 17.5).
2. Detach the pilot pipe from the pilot unit.
3. Detach the thermocouple from the interrupter block or valve (RC) by unscrewing the thermocouple nut.
4. Detach the electrode lead from the underside of the electrode tab. (RC) has 2 leads note the valve connection tabs before removal. **Note** as incorrectly fitting these 2 leads around will result in an Error code on handset.
6. Remove the 2 screws securing the pilot unit (Fig 41)
7. Refit in the reverse order.

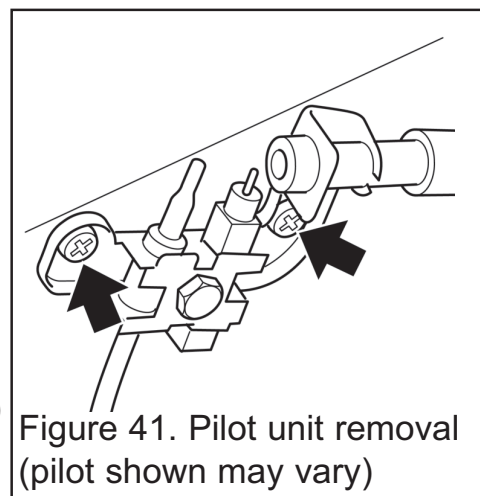


Figure 41. Pilot unit removal (pilot shown may vary)

# INSTALLER GUIDE

- Note:**
1. The pilot unit is an atmosphere sensing device. It must be replaced as a whole assembly. Its individual components are not separately replaceable.
  2. When the thermocouple is removed from the interrupter block, the microswitch lead terminals in the interrupter block will be loose. Make sure that they are properly secured to give a good electrical contact when retightening the thermocouple nut.

## 17.9 - 945FS - To remove the shut-off tap.

(See figure 42).

1. Remove the burner unit (See section 17.5).
2. If lying the burner on its back, ensure that the work surface is suitably protected. This will avoid damage to the work surface. Turn the burner unit upside down. Detach the thermocouple and interrupter block from the tap (See section 17.2 & 17.3).
3. Detach the pilot pipe from the tap.
4. Detach the inlet pipe.
5. Remove the hexagonal nut securing the tap to the mounting bracket.
6. Detach the elbow by unfastening the hexagonal nut connecting it to the flow rate controller. Lift the tap (complete with elbow) clear.
7. Loosen the hexagonal locknut securing the elbow to the tap. Remove the elbow by rotating it.
8. If fitting a new tap, remove the hexagonal nut at the mounting bracket end of the old tap and fit to the replacement tap. Refit in the reverse order. When refitting, make sure that the tap spindle is in the correct relationship relative to the control pivot bracket. Rotate the pivot bracket fully clockwise. The tap spindle should “bottom out” (i.e. the tap should be fully open) after the pivot bracket has actuated the ignition microswitch but before it has pushed the microswitch leaf against the microswitch body.

When refitting the thermocouple and interrupter block, make sure that the microswitch wires are properly secured to give a good electrical contact.

## 17.10 - 945FS - To remove the gas flow rate controller. (See figure 43).

1. Remove the burner unit (See section 17.5).
2. If lying the burner on its back, ensure that the work surface is suitably protected. This will avoid damage to the work surface.
3. Detach the microswitch cover (See section 17.3 & 17.4).
4. Detach the shut-off tap as detailed in section 17.9 paragraphs 2-6.
5. Detach the burner pipe from the controller. Support the controller while detaching to

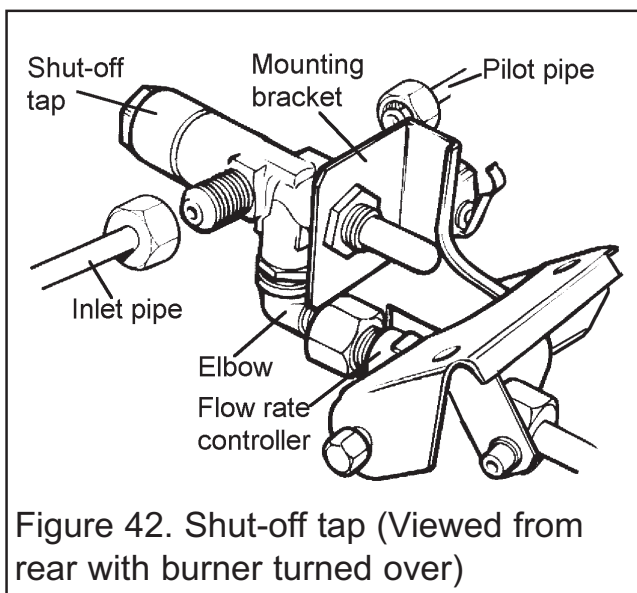


Figure 42. Shut-off tap (Viewed from rear with burner turned over)

# INSTALLER GUIDE

prevent excessive strain.

**6.** Remove the nut and washer securing the control pivot bracket to the controller at the front. Support the pivot bracket while removing the nut to prevent possible damage to the microswitch.

**7.** Remove the hexagonal bolt securing the control pivot bracket to the controller at the rear.

**8.** Detach the control pivot bracket.

**9.** Remove the hexagonal nut securing the controller to the front mounting bracket and remove the flow rate controller.

**10.** Refit in the reverse order.

**17.11 - 945FS/945MC - To replace the burner.** (See figure 49).

**1.** Remove the burner unit (See section 17.5).

**2.** Support the elbow injector & unscrew the injector nut.

**3.** Remove the two screws from the burner clamping plate (See figure 44)

**4.** Lift the right hand side of the burner, slide it to the right and lift clear

**5.** Refit in reverse order.

**17.12 - 945FS/MC/RC - To remove the main burner injector.** (See figure 50).

**1.** Remove the burner (See section 17.5).

**2.** Remove the burner clamping screw (See figure 45)

**3.** Unscrew the injector from the burner

**4.** Refit in the reverse order.

**17.13 - 945FS/MC/RC - To remove the appliance from the fireplace.**

**1.** Remove the burner unit (See section 17.5).

**2.** If the fire retention is as method 1 (See section 9.1 of this guide), remove the screws.

If the fire retention is as method 2 (See section 9.2 of this guide), slacken the hexagonal adjusters on the cable retainers and unscrew the thumbscrews to release the cables.

**3.** Refit as described in the relevant installation sections. Make sure gas soundness, sealing, spillage test and performance are satisfactory.

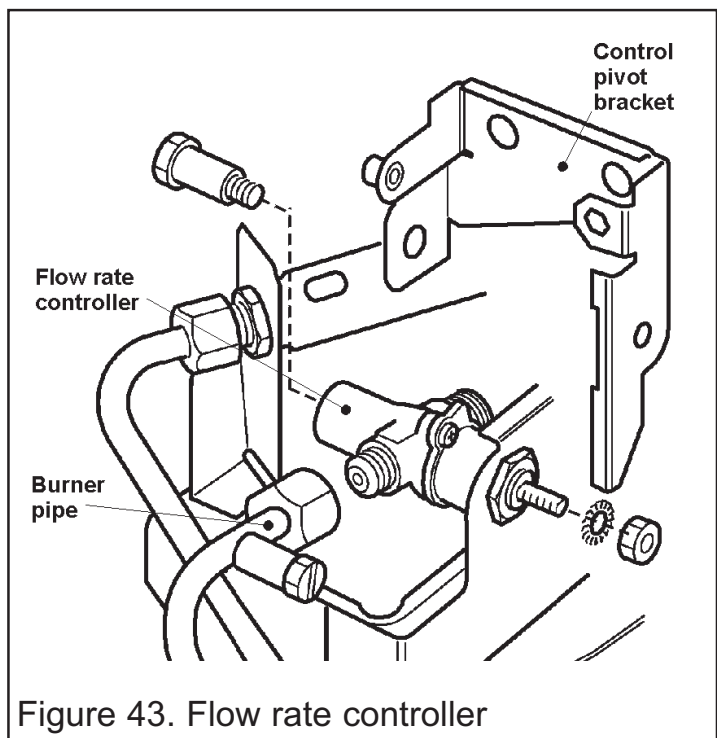


Figure 43. Flow rate controller

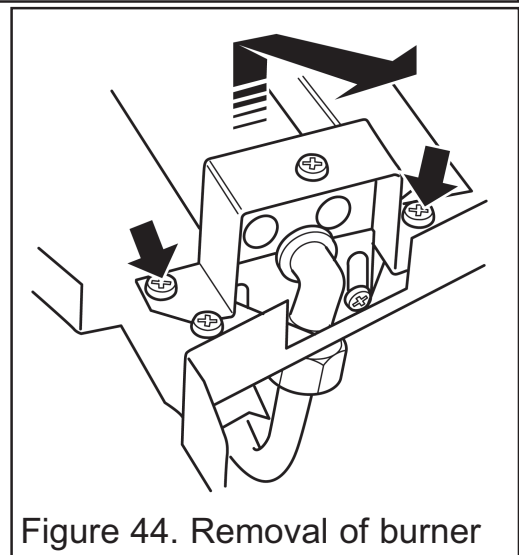


Figure 44. Removal of burner

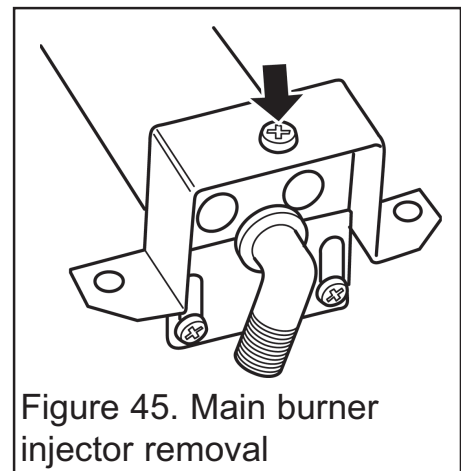


Figure 45. Main burner injector removal

# INSTALLER GUIDE

## 17.14 - 945MC - To remove the gas valve. (See figure 46).

1. Remove the burner unit (See section 17.5).
2. If lying the burner on its back, ensure that the work surface is suitably protected. This will avoid damage to the work surface. Turn the burner unit upside down. Detach the thermocouple from the tap.
3. Detach the pilot pipe from the tap.
4. Detach the inlet pipe.
5. Detach the injector pipe
6. Detach the electrode lead from the base of the electrode
7. Remove the control knob by pulling forward.

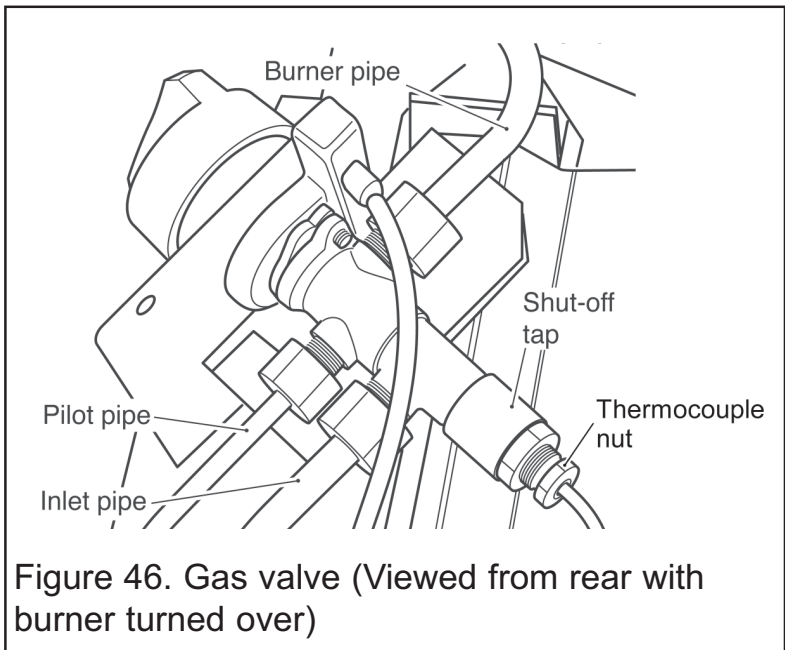


Figure 46. Gas valve (Viewed from rear with burner turned over)

8. Remove the thermocouple by unscrewing the thermocouple nut at the gas valve.
9. Remove the hexagonal nut securing the gas valve to the mounting bracket.
10. Remove the gas valve
11. Refit in the reverse order.

## 17.15 - 945MC - To remove the piezo generator.

1. Remove the gas tap.
2. Make sure that the tap is in the off position.
3. Remove the circlip holding the piezo unit to the tap. Remove the piezo unit.
4. Replace in the reverse order.

## 17.16 - 945MC - To grease the control tap.

1. Detach the tap and remove the piezo generator making sure that the tap is in the off position.
2. Remove the two screws from the head of the tap. Remove the niting head and spindle complete with collar and spring.
3. Note the position of the slot in the plug-mark its position on the tap body.
4. Remove the plug rotating slightly while pulling.
5. Clean and grease the plug lightly with suitable grease. Do not apply excessive grease. Particularly, make sure that the gas ports in the tap are not restricted by grease.
6. Push the plug into the tap body and position the slot in line with the mark previously made on the tap body.
7. Reassemble the niting head and spindle complete with collar and spring making sure that the components are correctly engaged. Check the operation of the tap.
8. Refit the piezo generator.

# INSTALLER GUIDE

**17.17 - 945RC - To remove the gas valve.** (See figure 46).

**1.** Remove the burner unit (See section 17.5).

**2.** If lying the burner on its back, ensure that the work surface is suitably protected. This will avoid damage to the work surface. Turn the burner unit upside down.

**3.** Detach the pilot, inlet and outlet pipes from the gas valve.

**5.** Detach the electrode leads from the back of the gas valve noting there assembly positions.

**NOTE:** when reassembling incorrectly connecting these two electrode lead will result in an error code on the digital handset.

**8.** Remove the spark cable cable from the gas valve..

**9.** Remove the two screws securing the gas valve to the mounting bracket.

**10.** Remove the gas valve.

**11.** Refit in the reverse order.

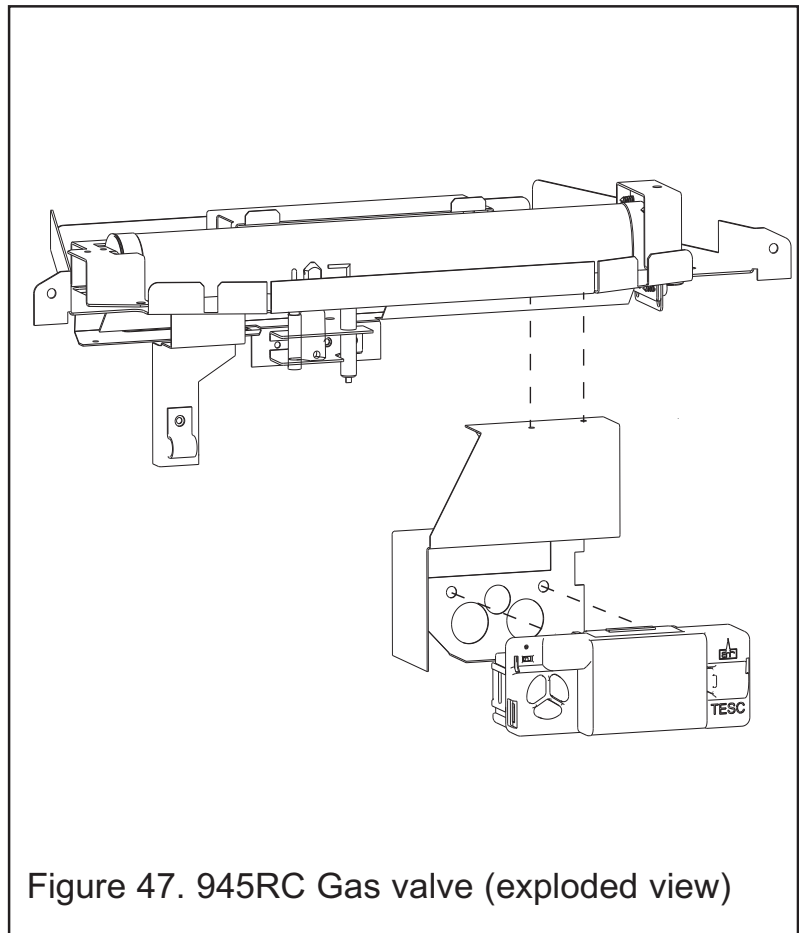


Figure 47. 945RC Gas valve (exploded view)

## OWNER GUIDE

FOR WARRANTY, BENCHMARK AND SERVICE  
INFORMATION SEE PAGES 62 TO 66

# INSTALLER GUIDE

## LIST OF CONTENTS

<u>Section</u>	<u>Page</u>
<b>SAFETY</b>	<b>48</b>
<b>APPLIANCE DIMENSIONS AND CLEARANCES</b>	<b>50</b>
<b>GAS CONSUMPTION</b>	<b>50</b>
<b>OPERATING YOUR FIRE</b>	<b>51</b>
The Oxysafe flame sensing and flue blockage safety system.	51
To light the fire. - 945FS	51
To turn the fire off. - 945FS	51
Lighting with a taper. - 945FS	52
To light the fire. - 945MC	52
To turn the fire off. - 945MC	52
Lighting with a taper. - 945MC	53
To light the fire (Gas Valve Control) - 945RC	53-54
To light the fire (Remote handset) - 945RC	54
Remote control operating instructions - 945RC	55-59
<b>CLEANING YOUR FIRE</b>	<b>60</b>
Metal parts.	60
Ceramic fuel effect pieces and burner compartment walls.	60
Burner.	60
<b>CERAMIC FUEL EFFECT FITTING</b>	<b>61</b>
<b>MAINTENANCE</b>	<b>61</b>
Battery replacement.	61
Regular maintenance.	61
Replacement ceramics.	61
<b>WARRANTY, SERVICE AND BENCHMARK</b>	<b>62-63</b>
<b>BENCHMARK COMMISSIONING CHECKLIST</b>	<b>64</b>
<b>BENCHMARK SERVICE RECORD</b>	<b>65</b>
<b>SERIAL NUMBER LABEL</b>	<b>66</b>

This gas fire is designed to meet the most stringent quality, performance and safety requirements to provide you with many years' trouble-free service.

This guide aims to improve your understanding and appreciation of your gas fire by providing simple and informative instructions to ensure that you benefit from the excellent performance and features it has to offer.

# OWNER GUIDE

## SAFETY

### IF YOU SMELL GAS

- **DON'T SMOKE.**
- **EXTINGUISH ALL NAKED FLAMES.**
- **DON'T TURN ELECTRICAL SWITCHES ON OR OFF.**
- **TURN OFF THE GAS SUPPLY AT THE METER OR TANK AS APPROPRIATE.**
- **OPEN DOORS AND WINDOWS TO GET RID OF THE GAS.**
- **IMMEDIATELY CALL THE GAS EMERGENCY SERVICE FROM A NEIGHBOURS PHONE - GAS EMERGENCY CONTACT NUMBERS ARE;**
  - **England, Wales and Scotland**                      **0800 111 999**
  - **Northern Ireland**                                      **0800 002 001**
  - **Republic of Ireland**                                      **1850 20 50 50**

**Do** have the fire installed by a competent person. In the United Kingdom, installation must be in accordance with the latest edition of the Gas Safety (installation & use) Regulations. In the Republic of Ireland, installation must be in accordance with all national and local regulations in force.

**Do** have the chimney swept prior to installation if it was previously used for solid fuel.

**Do** have the fire installed in accordance with the installer guide.

**Do** provide a suitable guard that complies with BS 8423 for the protection of young children, the elderly, the infirm and pet animals (Although this fire conforms to all the applicable standards, it is a heating appliance and certain parts of its surface will become hot).

**Do** wait three minutes before attempting to relight if the fire is switched off or the flames are extinguished for any reason. (Your fire is fitted with a safety device that will automatically shut off the gas supply to the fire if, for any reason, the flames go out).

**Do** get advice about the suitability of any wall covering near your fire. Soft wall coverings (e.g. embossed vinyl, etc.) which have a raised pattern are easily affected by heat. They may, therefore, scorch or become discoloured when close to a heating appliance. Please bear this in mind whenever you are considering redecorating.

**Do** provide a minimum side clearance as detailed in the following section "Appliance dimensions and clearances". Please bear this in mind if ever you are considering altering the room.

**Do** provide a minimum clearance as shown in figure 1 (all models) above the base of the fireplace opening to any shelf made of wood or other combustible material. Please bear this in mind if you are making any alterations to the room.

**Don't** hang clothing, towels or any other fabrics over the fire.

**Don't** add any extra fuel effect pieces above the number stated in this guide. This could cause a safety hazard. **Don't** put paper or any other material on the fire.

**Don't** place any combustible material (rugs, carpet, plastic tiles, etc.) on the hearth.

**Don't** attempt to clean or service the fire until it has been switched off and allowed to cool completely.



# OWNER GUIDE

Combustion shelf clearances for Dream, Masq., Excelsior, Petrus & Allure models;

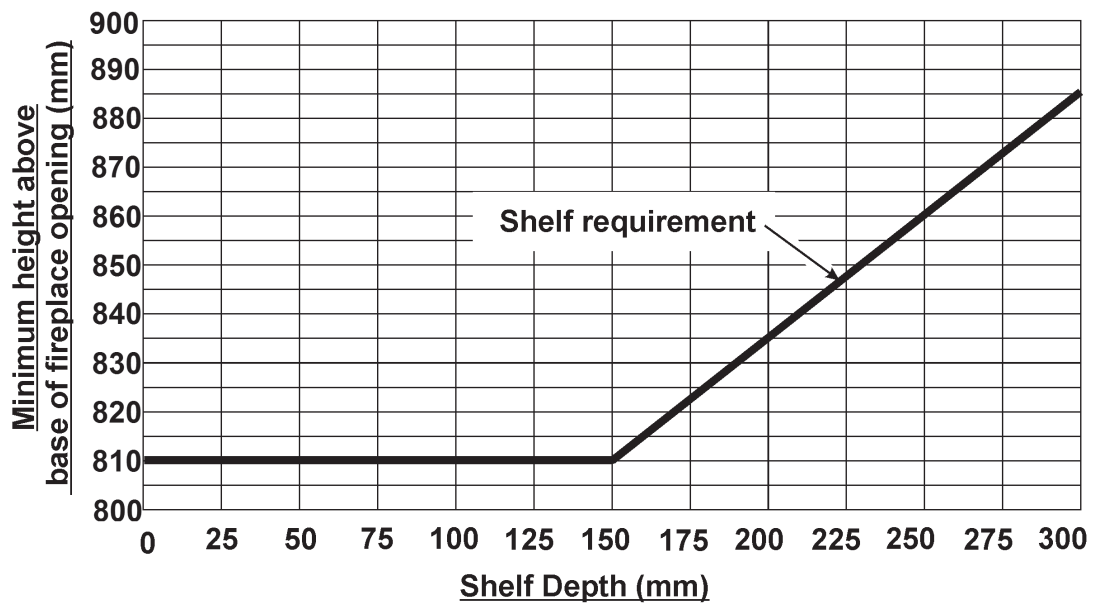


Figure 1

# OWNER GUIDE

## APPLIANCE DIMENSIONS AND CLEARANCES

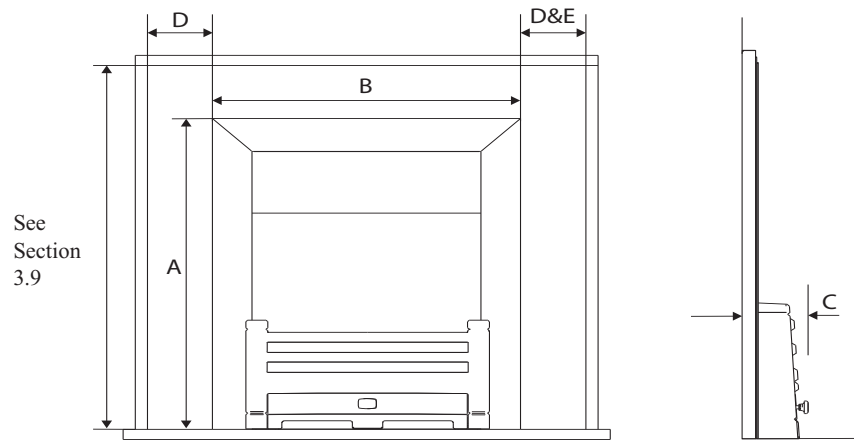


Fig 2

Key	Description	Dream, Masq., Excelsior, Petrus	Allure Standard Flat	Allure Standard Return	Allure Inlay Flat	Allure Inlay Return
A	Height ( mm )	636	615			
B	Width ( mm )	518	506			
C	Depth into room ( mm )	94	90	100	95	100
D	Minimum <b>mandatory</b> clearance to <b>combustable</b> surfaces projecting beyond the front of appliance ( mm )	100				
E	<b>Recommended</b> clearance to <b>non - combustable</b> surfaces for access purposes ( mm )	50				

## GAS CONSUMPTION

Gas Consumption	945FS	945FS	945MC	945MC	945RC
	Natural Gas	Propane Gas (Kit 0595211)	Natural Gas	Propane Gas (Kit 0595211)	Natural Gas Only
Max gas Input of: (Gross)	6.85kW	6.7kW	6.85kW	6.75kW	6.85kW
Max gas Output:	4.0kW	3.9kW	3.5kW	3.7kW	3.5kW
Min gas Input: (Gross)	2.7kW	4.3kW	2.3kW	4.0kW	2.3kW
Min gas Output:	1.34kW	2.29kW	0.9kW	2.1kW	0.9kW

Model 945FS & 945MC ONLY LPG conversion kit available number **0595211**

# OWNER GUIDE

## OPERATING YOUR FIRE

### The Oxysafe flame sensing and flue blockage safety system.

For your safety, this appliance is fitted with a flue blockage safety device which will shut down the appliance in the event of abnormal flue conditions. **This device is NOT a substitute for an independently mounted Carbon Monoxide detector.** The device will also automatically shut off the gas supply to the fire if the pilot flame goes out due to lack of oxygen or for any other reason.


**If this device starts to repeatedly shut off the gas, get expert advice.**

This device incorporates a probe which senses that the heat from the pilot flame is correct. If this probe is cool, the device will prevent any gas flow unless the control knob is held in at the ignition position.

If, for any reason, the flames go out when the fire is hot or if the fire is turned off when hot, always **wait at least three minutes before attempting to relight.**

### 945FS - To light the fire.

The slide control is shown in the figure across.

1. Slide the control knob to the bottom (ignition) position marked . In this position, the electronic ignition system should cause a series of sparks that should light the pilot. Within four seconds of the pilot igniting, the main burner should light at its minimum setting. If no sparks are produced to light the pilot, the battery may need replacing. Details of battery replacement are given further on in this guide.

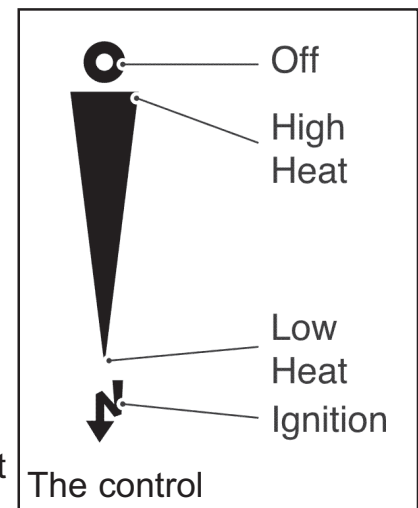
Until you can obtain a replacement battery the fire can be lit with a taper as described later in this guide.

2. Keep the control knob at the ignition position for a further ten seconds. This will prevent the flame-sensing device from shutting off the gas while its probe warms up as explained above.

3. If low heat is required, release the control knob. The control knob will automatically spring up to the low heat position shown in figure 3 (See note i below). If for any reason the slider control does not spring up, raise the slider to the off (O) position (Topmost position) and contact your installer. Do not use the fire until the problem has been rectified.

4. For a higher heat level slide the control knob upwards. The burner flames and heat output will gradually increase until the control knob reaches the high heat position shown in figure above. When the control knob reaches the high heat position you will feel a check to its movement. **Do not slide the control knob above the high heat position unless you want to turn the fire off** (See note i below).

Note i) If the flames go out while setting the control, repeat the full lighting procedure. If the flames repeatedly go out have the fire serviced.



# OWNER GUIDE

- ii) Please note. When first turned on the flames will appear predominantly blue. The ceramic fuel effect pieces will take time to warm up. Although some glow will be seen after approximately ten minutes, the full visual effect will only be apparent after a somewhat longer time.
- iii) The appliance will operate to its maximum potential if the flue is primed during the first 20 – 30 minutes of operation. To do this, simply slide the control knob to its highest setting. This will also burn off any carbon deposits that may have formed during previous operations.
- iv) If operating the appliance for long periods it is beneficial occasionally to change the settings. This will also help to remove any carbon deposits that may form during operation.

## **945FS - To turn the fire off.**

1. Slide the control knob up past the high heat position to the “O” position. Both the main burner and the pilot should go out. While cooling, the ceramic fuel effect pieces may make some crackling noises. This is quite normal.

## **945FS - Lighting with a taper.**

In the unlikely event of failure of the ignition spark, the pilot can be lit by a taper or long spill. Insert the taper or spill between the second and third left hand ceramic fuel effect pieces on the first row. Operate the slide control as described above.

## **945MC - To light the fire.**

Depress the control knob and rotate it **slowly** anticlockwise to the pilot ignition position. A 'click' will be heard as the integral piezo operates. A flame should appear at the pilot. Keep the control knob depressed and hold the pilot ignition position for five seconds. When the control knob is released the pilot flame should remain lit. If a flame does not appear at the pilot then turn the control knob clockwise to the 'OFF' position and repeat the above.

When the pilot burner is operating properly, gradually turn the control knob anti-clockwise to 'HIGH' position. (Depress the knob slightly to get past the pilot ignition position). The main burner should now light.

Depress the control knob slightly to release from the 'HIGH' position and turn back (clockwise) to 'LOW'. While turning, the burner flames should gradually become lower but remain alight. Depress the control knob slightly to release from the 'LOW' position and turn back (clockwise) to the Pilot ignition position. The main burner should extinguish but the pilot should remain alight.

**Depress the control knob slightly and turn back (clockwise) to turn OFF.** This will extinguish the pilot. While cooling, the ceramic fuel effects may make some crackling noises. This is quite normal.

- Note
- i) If the flames go out while setting the control, repeat the full lighting procedure. If the flames repeatedly go out have the fire serviced.
  - ii) Please note. When first turned on the flames will appear predominantly blue. The fuel effect pieces will take time to warm up. Although some glow

# OWNER GUIDE

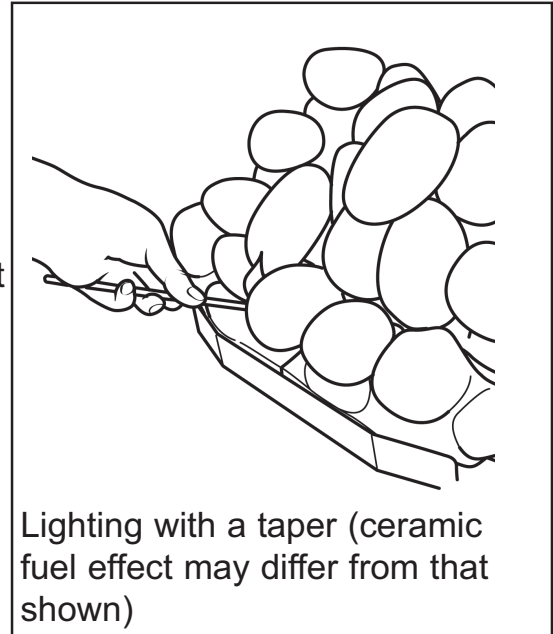
will be seen after approximately ten minutes, the full visual effect will only be apparent after a somewhat longer time.

- iii) The appliance will operate to its maximum potential if the flue is primed during the first 20 – 30 minutes of operation. To do this, simply slide the control button to its highest setting. This will also burn off any carbon deposits that may have formed during previous operations.
- iv) If operating the appliance for long periods it is beneficial occasionally to change the settings. This will also help to remove any carbon deposits that may form during operation.

## 945MC - Lighting with a taper.

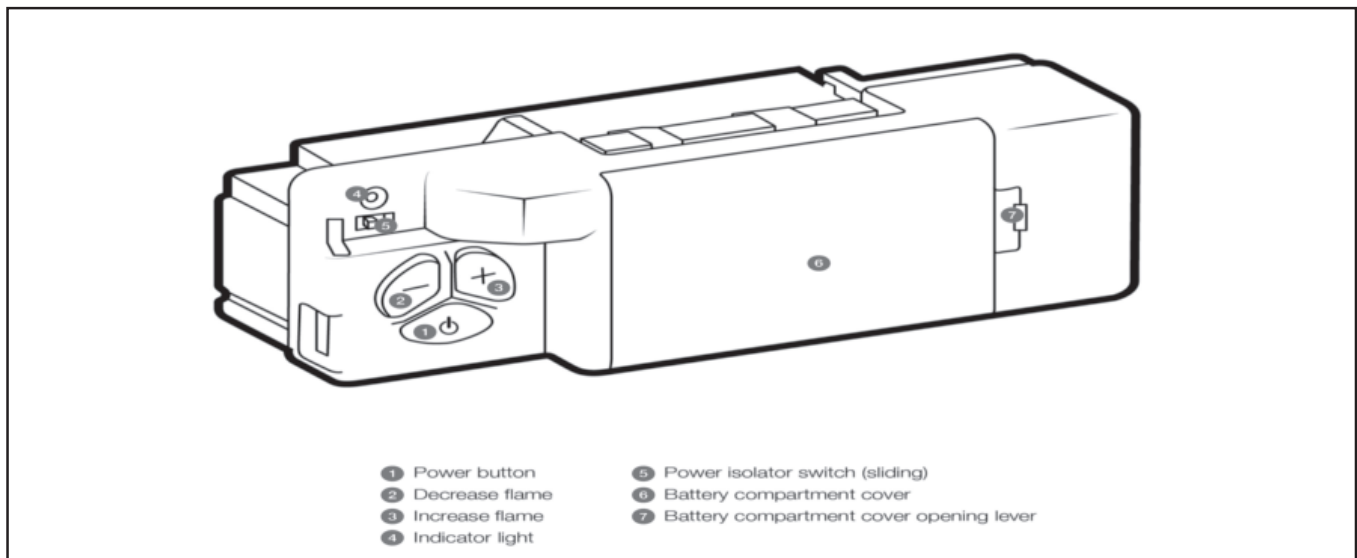
In the unlikely event of failure of the ignition spark, the pilot can be lit by a taper or long spill.

- Turn the control knob to the 'Pilot ignition' position
- Insert the taper or spill between the second and third left hand ceramic fuel effect pieces on the first row
- Depress the control knob. A flame should appear at the pilot.
- Remove the taper and keep the control depressed for 5 seconds.
- Release the control knob and the pilot flame should remain alight. If it does not, repeat the above.
- Turn the control knob to the required setting.



## 945RC - To light the fire - Gas valve control

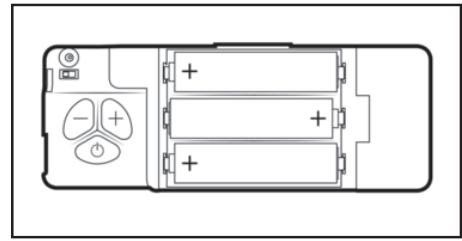
**a - Lighting the gas fire & operation** The gas valve control is situated on your fire. The drawing below shows the main features of the control.



# OWNER GUIDE

The control required 3 AA size alkaline batteries to be inserted under the battery compartment cover. The orientation of these is shown moulded into the battery compartment and as shown below.

After fitting the batteries and replacing the cover the fire can now operate.

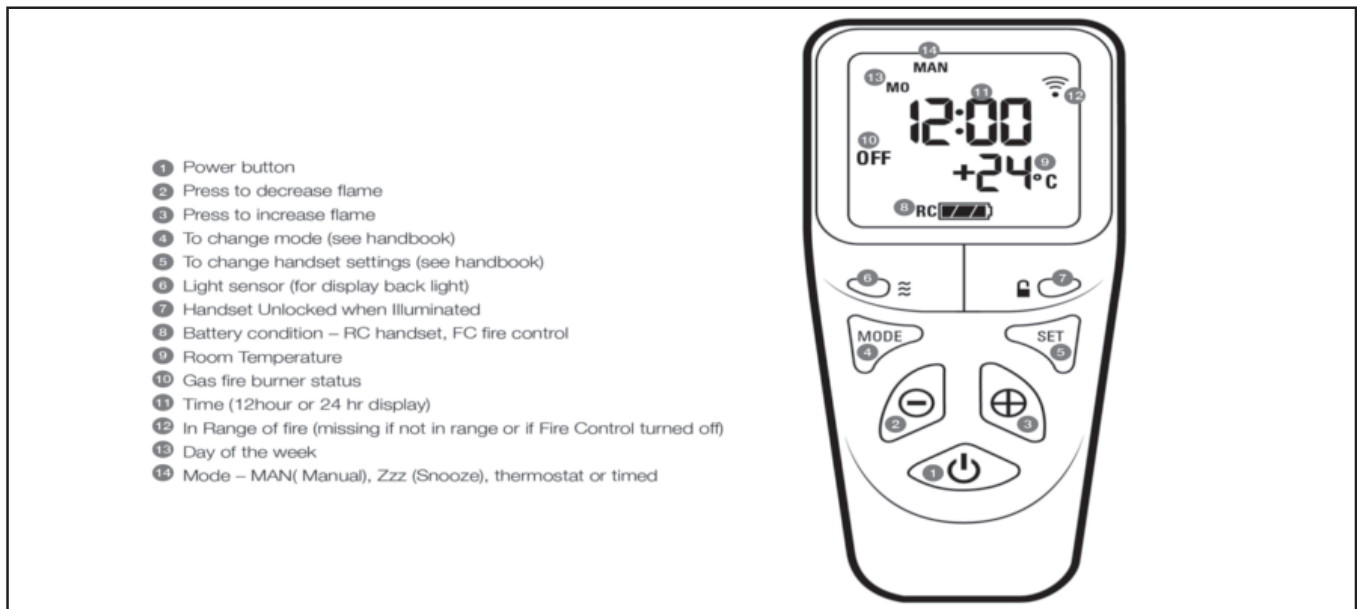


Slide the valve control On/Off switch to the right to the On position (I symbol).

**b - To start the fire manually** (without the use of the Remote control handset), press the power button and hold for 1 second then release. The burner will within around 1 to 10 seconds, adjust to the maximum power setting. The power of the burner can be adjusted up and down by pressing the – and + buttons.

**c - To turn off the fire**, press the power button again and the burner will stop.

## 945RC - To light the fire - Remote handset



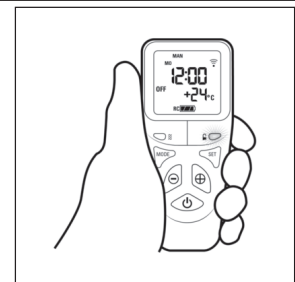
### a - Lighting the gas fire & operation

**NOTE:** Ensure the power isolator switch on the front corner of Fire Control is in the on position.

**To activate the handset** - Grasp around the handset to unlock its functions. The green unlock light will illuminate to show when the handset is unlocked and ready to accept commands.

(N.B. Keep a grip of handset to keep it unlocked, to continue to operate the command buttons.)

**Power button – To turn on the fire**, with one hand grasp around the rear of both sides of the button area control. The green unlock light will illuminate. Keep the handset held to keep the control unlocked, to enable operation of the buttons. Then with the other hand touch and hold a finger on the power button for about 3 seconds. (A short beep and a flash of the unlock light will happen



# OWNER GUIDE

upon touching.) When the word “pilot” appears at the bottom left hand corner of the display, immediately release the power button. (A second flash of the unlock light and a longer beep will also sound at the time to release the power button). The Fire should be lit within a few seconds.

## **N.B.**

If power button is held for more than a few seconds after second flash/beep/word pilot appears, the command is ignored for safety reasons.

Similarly, if it is released too soon before the word pilot appears, the command is also ignored.

The control has been designed to ensure that only intended ignition of the fire occurs. To stop – with handset held to unlock it, press then release power button.

## **b - Operating instructions**

Upon successful insertion of the batteries into the Handset the display will be as shown. The handset will be supplied paired to the fire and all that is required is to set the time of day and select if a 24h hour clock or 12 hours clock display is required and if temperature display is on Celsius or Fahrenheit.

## **c - Setting the time**

Holding the handset as described previously to unlock the keypad, press and hold “SET” for a few seconds and the display will be as shown

## **d - Setting the display for 12 or 24-Hour display**

As always when pressing the remote-control buttons keep the control held to keep the green light on and therefore handset safety feature, unlocked.

The H indicates that it is time to set the timer to either 24-hour display or 12 Hour (AM or PM) display.

Press the + or – button on the handset to toggle between the two settings. When you are ready to confirm the setting you want press the “SET” button to progress to setting the day of the week.

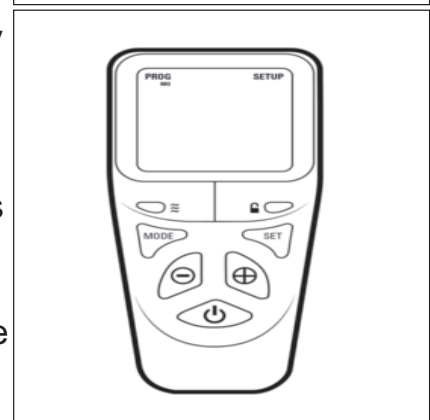
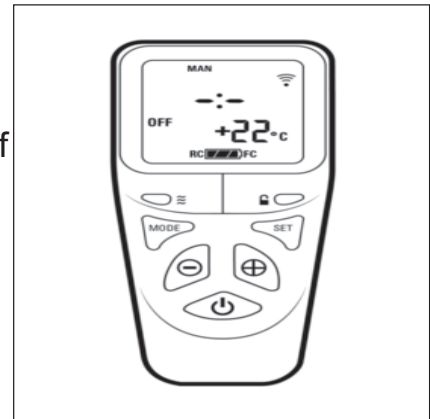
## **e - Setting the day of the week**

Press and release the + and – buttons until the correct day of the week is shown on the display.

(Mo = Monday, Tu= Tuesday, We=Wednesday, Th=Thursday, Fr=Friday, Sa=Saturday and Su=Sunday).

Press “SET” to accept the day of the week and to progress to setting the Hour of the day.

**Note:** Whilst doing this setup pressing “SET” advances to the next display and pressing “MODE” will return you to the previous display setting.



# OWNER GUIDE

## f - Setting the Hour

Press and release the + or – button to change the hour to the correct hour and press set to store and to move to setting the minute.

Repeat this for setting the minutes.

## g - Setting the temperature display to Celsius or Fahrenheit.

Press and release the + or - button to toggle between C and F. When the display shows the desired symbol, press and release the “SET” button to store.

As the important settings above have now been done. Press and hold (not releasing straight away) the “SET” button for a few seconds and this will exit the setup menu. (alternatively, you can press and release the set button several more times until the time of day is displayed on the handset.

The control is now ready for use with the gas valve control.



**Note:** the legend at the bottom shows the battery condition of both the batteries in the hand set and in the fire control alternately.

RC = Remote Control handset and FC = Fire control.

The control is designed to get the most out of the batteries but when eventually the display shows they are spent (when the battery legend is an empty area, we recommend you change the batteries in the handset before they are flat, to avoid having to reprogram the time of day in again.

**N.B.** Pairing is not lost, even if the batteries are removed or flat. The pairing is not lost when the batteries are flat but replacing them quickly before they have gone flat will avoid having to set the time of day, day of the week etc again)

## h - 24-hours Day Timer/Thermostat mode and snooze mode.

Snooze mode can be selected to work with in conjunction with either manual or thermostatic modes.

You can switch between modes at any time with the handset unlocked by pressing and releasing mode button to toggle between modes.

**Note:** If at any time the power button is pressed during operation, this will stop the fire and exit any automatic mode and return the handset to manual (**MAN**) operation mode.

## i - Setting “snooze mode” in manual operation

Snooze mode is a time period you can set which will turn off the fire after a certain time period has elapsed.



# OWNER GUIDE

The snooze time period can be set before or during manual operation of the fire. Hold the handset to unlock as described previously and press the mode button as many times as necessary until the word **MAN** and the **Zzz** symbols are flashing at the top of the display. Press and release the set button and this will put the control into Manual snooze mode.

The default time period for the snooze time period is 1:00 hour. Pressing the set button again will show you the snooze time period remaining. This can be adjusted by pressing the “+” or “-” buttons. The timer period that can be set is from 1 minute to 4:00 hours.

After adjusting the time, press set again to enter the time setting required (or if left for a few seconds this time is now stored and used).

Once this countdown timer has reached zero the fire will turn off (as if you had pressed off manually, it does not recycle).

## **j - Setting “snooze mode” in Thermostatic mode**

The same thing as above can be done before or during a thermostatic mode operation.

The handset has within it a thermostat sensor and this can be set so the fire will heat the room to match the temperature set in the handset.

There are 3 temperature types that can be set: -

-Day mode temperature that has a sun symbol on the display – the default temperature is 24 C

- Night temperature that has a half moon symbol on the display- the default temperature setting is 18 C

-frost protection that has a snowflake symbol on the display – the default temperature setting is 5 C

Hold handset and press and release the mode button several times as necessary until the display has a thermometer symbol flashing at the top of the display. Press the set button to enter this mode.

Press the set button again to see the temperature setting that is set and the mode (the default is 24 C ) and on the left of the display is a sun symbol showing it's the day temperature.

If a different set temperature is required, while the display is showing this set temperature, press the + and – buttons to alter the setting. When finished either press set or leave and after a few seconds the new setting will be accepted and the display will return to the time of day screen.

On the anniversary of the set temperature of the clock, the set temperature will be compared to the actual temperature displayed on the handset (i.e. the room ambient temperature around the handset). If the room temperature is higher than the set temperature the fire will not light until the room has cooled to below the set temperature. The fire would then automatically turn itself on when the room is cooler than the set temperature and down and off if necessary when it is hotter than the set temperature.

# OWNER GUIDE

**Note-** when the set temperature is reached while the fire is in operation, the fire reduces the burner power level each minute until the burner is off.

The pilot (if fitted) will remain on for a further 30 minutes and if the set temperature is still too high; the pilot will then also extinguish. When the set temperature is higher than the actual temperature, the fire will automatically light and go to the full burner rate to reheat the room back to the set temperature.

**Note:** If at any time the power button is operated during Thermostat mode, the control will cancel any thermostat operation and return the control to manual mode.

For ease of setting there are two other modes that can be selected as stated above. Night mode (moon symbol) and frost protection setting (a snow flake). These can be selected (and adjusted if necessary) by pressing set then mode while in thermostat mode. Pressing mode button toggles through from day to frost modes. The purpose of these settings is to help your fire to automatically protect you home against becoming too cold if there is a sudden change in the weather. The control must be left in the appropriate mode for this to function.

**Note:** As stated in an earlier section, snooze function can also be operated in conjunction with thermostat mode. The thermostat symbol and the **Zzz** symbol will be on together when in this mode.

## **k - Setting the “24-hours Day Timer/Thermostat” mode**

This mode enables the various day, night and frost thermostat modes to be set on a program timer. The control will work as a thermostat switching between the day, night and frost temperature settings in line with the program set. The setup of the timer will be shown by a demonstration.

To set up the timed thermostat to be at 24 C from 06:00 to 09:00 then drop to 18 C from 09:00 to 15:30 and then 24 C again from 15:30 until 23:30 and then to protect from frost a 5 C setting between 23:30 to 06:30 the next day from Monday to Friday this is what you would do: -

Hold handset to unlock – press set and hold until a beep and release. Press **MODE** button until the timer symbol is flashing on the top of the display – press **SET** to enter the time mode – Mo is flashing so it is already set for Monday- press **SET** and release now press the + and – buttons to make the time of day read 06:00 (note the steps are in 15 minutes steps) – press **SET** and release- press + and – to make the next symbol show a flashing sun symbol- press and release **SET**- as Mo is flashing press and release **SET** again, enter the next time of 09:00- press and release **SET**- change the flashing sun symbol to a flashing moon symbol by pressing and releasing the + and – buttons then press and release **SET** again to store the moon setting continue this until you have entered each time and temperature change required for each day.

To put the fire into thermostat timer mode press and release the **MODE** button until the thermostat and timer symbols are displayed on the display at the top. Press and release the **SET** button and the control will now run the timed program set up in the memory. To adjust any time setting in the memory re-enter the timer program setup

# OWNER GUIDE

mode (by pressing **SET** and then **MODE** as described above). Then press set to make the time flash. Now holding the + button advances the display to the next setting and so on throughout the program. Amend the appropriate setting and when finished do a long press of the **SET** button to exit the program mode.

To reset the whole timer program in the memory: - Hold handset- press set- press mode until **SETUP** is flashing- press **SET** to enter SETUP- press **SET** about 8 times until **CP0** is flashing on the display use the + and – buttons to change the display to **CP1** – press SET – press **SET** again and the display will return to standby Manual mode and the timer setting have been completely removed for the timer memory.

## **I - Paging feature built into remote handset to find its location**

If you have misplaced the handset (and it is in range of the fire), you can page it by pressing the + button only on the fire control for around 5 seconds. The handset will flash and make a noise to help you to locate it. Once you pick up the TESC it knows you hold it and so the sound stops. The flashing and sound will last for 60 seconds each time the handset is paged as described. If not found in 60 seconds, page again and so on.

**NOTE: PRESS “+” Button ONLY,** NOT “+” and “- ‘Together as you will accidentally break the handset pairing and have to reset handset to factory state and pair again (see other Page 25 of the booklet if this happens).

## **m - Advanced settings Menu**

In the event that you may wish to change the other pre-set settings of the control features.

Do not do a long press and hold above but a normal short press and release will take you into the advanced settings area.

Advanced settings options are: -

Back light –

A = Automatic (default setting). The back light comes on in the dark but not in the light.

0 = Light never comes on.

1 = Light comes on whenever handset is unlocked.

Display contrast – 8 levels from 0 to 7 (default level 4).

To maintain the high performance and quality finish of your fire please follow these guidelines:

Before attempting to clean the fire, please remember to turn off the fire and wait for the appliance to cool. The fire will retain heat for some time before cleaning can begin.

If any pieces of debris are found in the firebox, have the chimney inspected before further use.

### **Metal parts.**

- Clean the metal parts with a slightly damp cloth and then dry.
- Do not use abrasive cleaners as these will scratch the fire surface.

### **Ceramic fuel effect pieces and burner compartment walls.**

This product uses fuel effect pieces and burner compartment walls containing Refractory Ceramic Fibres (RCF), which are man-made vitreous silicate fibres. Excessive exposure to this material may cause irritation to eyes, skin and respiratory tract. Consequently, it is important to take care when handling these articles to ensure that the release of dust is kept to a minimum.

- Light coatings of soot will usually be burnt off during the normal operation of the fire. Should any soot accumulation become excessive, the fuel effect pieces and walls should be removed from the fire for cleaning.
- Cleaning should be carried out in a well ventilated area or in the open air by gently brushing with the pieces held away from your face so that you avoid inhaling the dust.
- We do not recommend the use of a normal domestic vacuum cleaner which may blow dust back into the air.
- We suggest that you remove the ceramic fuel effect pieces in the reverse order to that shown in the ceramic fuel effect installer and owner guide.

### **Burner.**

Remove any deposits of soot or other foreign matter from the surface of the burner with a dry soft brush. Be careful not to brush any particles into the open slots.

Remove any particles from the slots with a vacuum cleaner fitted with a soft brush attachment. **Do not poke wire, etc. into the slots in the burner.**

# OWNER GUIDE

## CERAMIC FUEL EFFECT FITTING

The installer and owner guide for the ceramic fuel effect is separate from this guide. The installer may have attached it to this guide or placed it inside. It is important that the installer and owner guide for the ceramic fuel effect is followed correctly. If replacing the ceramic fuel effect, where a new guide is supplied, follow the installer and owner guide supplied with the replacement fuel effect. Keep the replacement installer and owner guide with this owner guide for future reference.

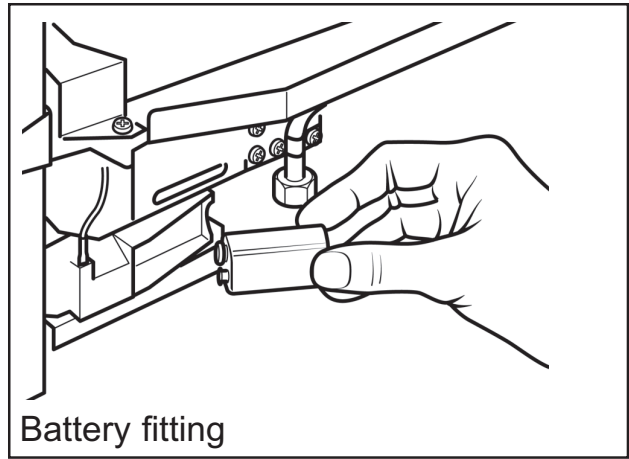
## MAINTENANCE

### 945FS - Battery replacement.

This appliance requires one Alkaline 9V PP3 (or equivalent) battery. To replace the battery remove the bottom front cover casting. Fit the new battery firmly to the connections on the ignition block (See figure).

### 945RC - Battery replacement.

This appliance requires five Alkaline AA (or equivalent) batteries. Three in the gas valve to replace the batteries remove the bottom front cover casting. Remove the plastic gas valve battery cover. Fit the new batteries in the correct orientation. The handset requires two AA batteries these can be replaced by removing the battery cover from the rear of the handset to gain access.



### Regular maintenance.

In order to achieve and maintain high levels of personal safety and performance efficiency, it is essential that the opening at the back of the fire and the flue are kept clear of any form of obstruction. It is possible that deposits of mortar or soot could fall and accumulate causing the flue to be blocked or restricted and so preventing proper clearance of dangerous exhaust fumes.

In the United Kingdom it is the law that a landlord must have any gas appliance, flue and pipework which is situated in a tenant's premises checked for safety at least every twelve months by a competent person (A GAS SAFE REGISTER operative). We recommend that all gas appliances and their flues, wherever situated, are checked annually.

The service engineer must complete the relevant Service Record on **Page 65** after each service.

### Replacement ceramics.

If you wish to replace any of the ceramic fuel effect pieces, spare parts are available nationwide via the **GDC Helpline** number.

# OWNER GUIDE

## WARRANTY, SERVICE AND BENCHMARK

### Standard Warranty Terms & Conditions

The warranty is for 12 months subject to contract.

In the United Kingdom servicing can be carried out either by a **GDC** service operative or a **GAS SAFE REGISTER** operative. You must register your fire by calling our telephone registration line on **08444 810 214**.

This product should be serviced annually to optimise its safety, efficiency and performance. The GAS SAFE REGISTER service engineer must complete the relevant Service Record on the Benchmark Checklist after each service.

It is also a requirement of the warranty that the fire has an annual service (every 12 months) in accordance with the installation and servicing instructions.



### Benchmark Checklist/Service Record

Please ensure that the installer has fully completed the Benchmark Checklist on the inside back pages of the installation instructions supplied with the product and that you have signed it to say that you have received a full and clear explanation of its operation. The installer is legally required to complete a commissioning checklist as a means of complying with the appropriate Building Regulations (England and Wales).

Installations carried out in England and Wales must be notified to Local Area Building Control either directly or through a Competent Persons Scheme. A Building Regulations Compliance Certificate will then be issued to the customer who should, on receipt, write the Notification Number on the Benchmark Checklist.

The filled in Benchmark Checklist/Service Record by the installer will be required in the event of any warranty (UK and Ireland installation).

After servicing, complete the relevant "Service Interval Record" section of the Benchmark Checklist located on the inside back pages of this document.

# OWNER GUIDE

## **Our promise to you**

If you experience a fault with your new fire, we aim to provide a safe and high quality repair service supported by our dedicated national network of highly skilled operatives. If your installer can't resolve the problem for you, we will do everything we can to get an operative out to you as quickly as possible. Nothing in this warranty will affect your statutory rights.

## **What you need to do if you experience a problem with the operation of the fire:**

- You should always contact your installer first, because the cause of the fault may not be related to the fire.
- If your installer confirms that the fault is with the fire and they can't repair it, our friendly customer service team is on hand to help.
- Simply call our UK Helpline on **0844 879 35 88** or from the Republic of Ireland on **01 842 8222** for any general advice that you may need.

When calling the **Helpline**, it would be helpful if you could have the following information to hand:-

1. Fire serial number and fascia code  
(Located on the information label on page 66)\*.
2. Date of installation\*.
3. Your installer name and address details\*.
4. Fire make and model number\*.
5. Annual Service record details\*
6. Proof of purchase (if you do not have the fire serial number)

**\*Note: details 1 – 5 should be recorded as part of the Benchmark Checklist / Service record at the end of this guide.**

## **What this warranty covers**

Free of charge repair or replacement of components found to be of faulty manufacture.

Free of charge replacement of the complete unit providing the failure is related to a manufacturing fault that cannot be repaired or is uneconomic to repair.

## **What this warranty does not cover**

Repairs to fires which haven't been installed and commissioned properly and as set out in the installation instructions.

Faults caused by inadequate supply of gas or electricity (where applicable).

Reimbursement of any third party repair or replacement costs that we haven't been told about or agreed with you in advance.

# OWNER GUIDE

## GAS FIRE COMMISSIONING CHECKLIST

This Commissioning Checklist is to be completed in full by the competent person who commissioned the gas fire as a means of demonstrating compliance with the appropriate Building Regulations and then handed to the customer to keep for future reference.

Failure to install and commission according to the manufacturer's instructions and complete this Benchmark Commissioning Checklist will invalidate the warranty. This does not affect the customer's statutory rights.

Customer name:	Telephone number:	
Address:		
Gas Fire make and model:		
Gas Fire serial number:		
Commissioned by (PRINT NAME):	Gas Safe register number:	
Company name:	Telephone number:	
Company address:		
	Commissioning date:	
Building Regulations Notification Number (if applicable):		
<b>Site Requirements</b>	Yes	N/A
Was the chimney checked to ensure it only serves one flue/fire, has no obstructions and is continuous?		
Has any debris at the base of the chimney been removed?		
For brick chimney installations is there enough depth for 12 litres of debris, or precast flues 2 litres of debris? (see instructions for debris gap details)		
Have damper and register plates been removed or locked in the fully open position ensuring correct size of flue is maintained?		
If previously used for solid fuel has the chimney been thoroughly swept?		
If the chimney is pre-cast has the inside of the flue been checked for extruded cement / sealant which must be removed?		
Has the fire place been checked for under-floor air supply which must be sealed off?		
Has the chimney been inspected prior to fitting the gas fire to ensure that it is in good condition?		
Has the structure of the chimney been checked for leakage using a smoke pellet test? (See BS5440-1 for details).		
<b>Ventilation</b>		
Does the installation require any additional ventilation requirements as detailed in the manufacturer's instructions?		
<b>Hearth Requirements- where fitted</b>		
Is the hearth constructed from non-combustible material?		
Is the hearth a minimum of 12mm thick with a minimum floor to top surface of 50mm?(BS5871) or as per manufacturer's instructions?		
Is the hearth for open fronted fires a minimum of 760mm wide and has 300mm projecting from the fire opening (BS6871) or to manufacturer's instructions?		
Mounting height (where applicable) has the fire been installed to the correct mounting height- as per manufacturer's instructions?		
<b>Firebox and Fuel Bed</b>		
Has the fuel bed, coals, pebbles etc. been fitted to manufacturer's instructions?		
<b>Gas Supply</b>		
Has an isolation tap/restrictor inlet elbow been fitted for servicing?		
Has the gas supply been thoroughly purged prior to connection to remove any debris?		
Has a gas tightness test been completed prior to breaking into the gas supply and following completion of installation?(IGEM/UP/1B)		
Record burner gas pressure reading? If only the supply pressure is available a gas rate must be undertaken.(GSIUR REG26/9C)		
Record dynamic inlet gas pressure (working pressure) reading (all gas appliances running)		
<b>Spillage test</b>		
Installation passes smoke match test with any extractor fans turned on (see manufacturer's instructions)		
<b>Installation</b>		
Has the gas fire been installed and commissioned in accordance with manufacturer's instructions?		
Has the fire been installed with the correct clearance to combustible materials, as per manufacturer's instructions?		
The operation of the appliance and controls have been demonstrated to the customer including battery replacement where applicable?		
The manufacturer's literature, including Benchmark Checklist and Service record has been explained and left with the customer?		
Has the appliance been registered with the Local Authority as detailed on the Gas Safe web site and is a legal requirement and forms part of the warranty?		
Customer's Signature: (To confirm satisfactory demonstration and receipt of manufacturer's literature)	Commissioning Engineer's Signature:	

\*All installations in England and Wales must be notified to be Local Authority Building Control (LABC) either directly or through a Persons Scheme. A Building Regulations Compliance Certificate will then be issued to the customer.





# OWNER GUIDE

## SERVICE RECORD

It is essential that your gas fire is serviced regularly and that the appropriate Service Interval Record is completed.

### Service Provider

Before completing the appropriate Service Record below, please ensure you have carried out the service as described in the manufacturer's instructions. Always use the manufacturer's specified spare part when replacing controls.

<b>SERVICE 01</b>	Date:	<b>SERVICE 02</b>	Date:
Engineer name:		Engineer name:	
Company name:		Company name:	
Telephone No:		Telephone No:	
Gas safe register No:		Gas safe register No:	
Comments:		Comments:	
Signature		Signature	
<b>SERVICE 03</b>	Date:	<b>SERVICE 04</b>	Date:
Engineer name:		Engineer name:	
Company name:		Company name:	
Telephone No:		Telephone No:	
Gas safe register No:		Gas safe register No:	
Comments:		Comments:	
Signature		Signature	
<b>SERVICE 05</b>	Date:	<b>SERVICE 06</b>	Date:
Engineer name:		Engineer name:	
Company name:		Company name:	
Telephone No:		Telephone No:	
Gas safe register No:		Gas safe register No:	
Comments:		Comments:	
Signature		Signature	
<b>SERVICE 07</b>	Date:	<b>SERVICE 08</b>	Date:
Engineer name:		Engineer name:	
Company name:		Company name:	
Telephone No:		Telephone No:	
Gas safe register No:		Gas safe register No:	
Comments:		Comments:	
Signature		Signature	
<b>SERVICE 09</b>	Date:	<b>SERVICE 10</b>	Date:
Engineer name:		Engineer name:	
Company name:		Company name:	
Telephone No:		Telephone No:	
Gas safe register No:		Gas safe register No:	
Comments:		Comments:	
Signature		Signature	



# OWNER GUIDE

Model

9 4 5

Serial number (Can be found on information label)

□ □ □ □ □ □ □ □ □ □ □ □ □ □

A LABEL CONTAINING THE SERIAL NUMBER MAY HAVE BEEN PLACED INSIDE THIS BOX.

SERIAL NUMBER LABEL  
TO BE AFFIXED HERE

Fascia name (Block Capitals)

□ □ □ □ □ □ □ □ □ □

Fascia code - Can be found on information label (Block Capitals)

□ □ □ □ □ □ □ □ □ □ □ □ □ □

A LABEL CONTAINING THE FASCIA CODE MAY HAVE BEEN PLACED INSIDE THIS BOX.

FASCIA CODE LABEL  
TO BE AFFIXED HERE

Brand

V A L O R

Date of Installation

□ □ □ □ □ □  
D D M M Y Y

□ □ □ □ □ □ □ □ □ □

