



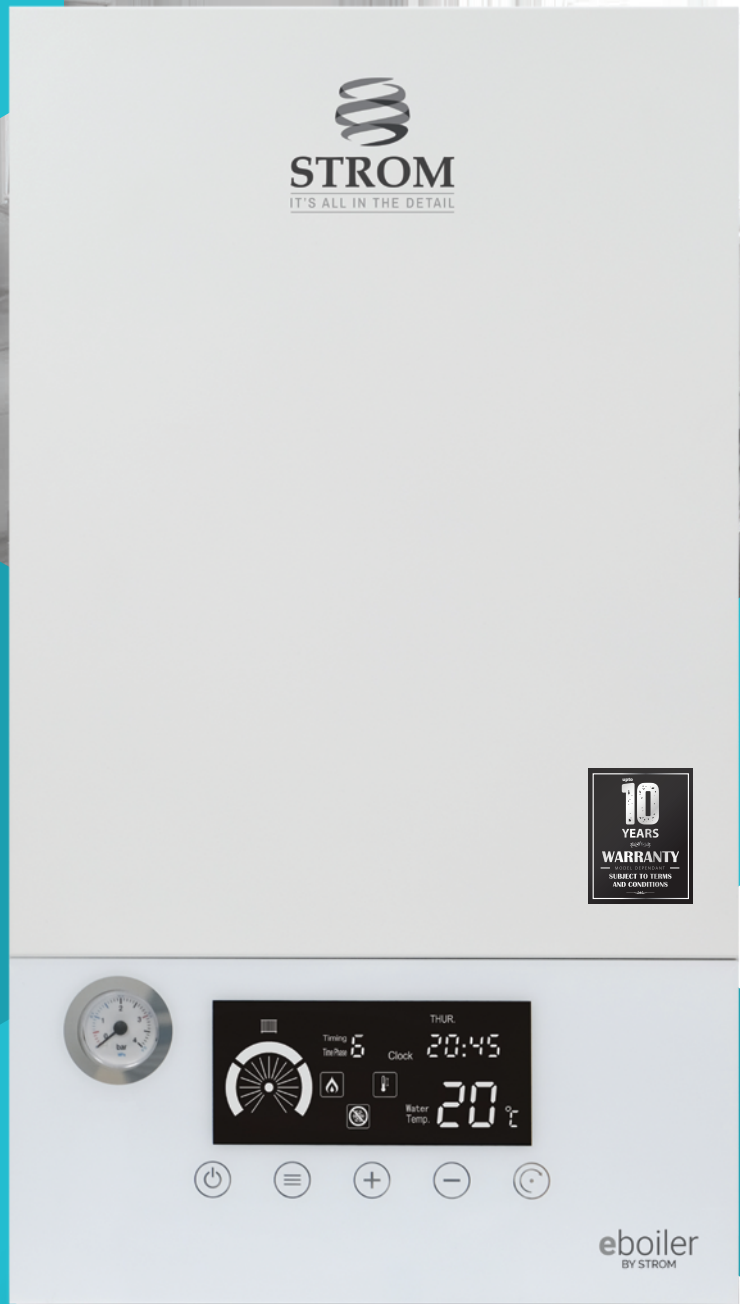
# STROM

IT'S ALL IN THE DETAIL

## Electric Boilers

### Version 3

upto  
**10**  
YEARS  
WARRANTY  
MODEL DEPENDANT  
SUBJECT TO TERMS  
AND CONDITIONS



## No Gas No Problem Strom Electric Boilers

Cutting edge, state of the art, and environmentally friendly Electric Boilers. A solution for any property, business, & application.

We don't  
just design  
the future,  
we make it.



**Welcome to the Strom Electric Boiler brochure. We are a fresh, exciting, and independantly owned British company that thrive on delivering great quality & innovative products.**

We are proud to say that the products in this catalogue have been designed here in the UK by our family ready for your family. We would never develop and deliver a product to you that we would not be prepared to use in our own homes, so you can invite us into your home with confidence.

The management Team here at Strom share between us over 100 years in the heating industry and have developed and delivered some of the biggest industry names still supplying the market today. Every minute of that experience has culminated in who we are and the products we ship today.

We hope that you find our catalogue informative and useful, and of course if you don't find what you are looking for we would be more than happy to talk to you to discuss your needs in more detail.





Strom have worked hard to collate together all the information we feel will be relevant to you, however should you require more information, or if you are an installer and wish to see a copy of the installation manuals, please visit our website at [www.stromltd.com](http://www.stromltd.com)

## Table of Contents

INFORMATION	Credentials & Certificates	05	PRODUCTS	Tankless Technology	14
	Battle For Planet Earth	06		Heat Only Boilers	16
	Why Choose Electric	08		Heat Only Pre-plumb	18
	Strom 10 Year Warranty	10		System Boilers	20
	Choosing The Right System	12		Combination Boilers	22
	System Sizing	13		Commercial Boilers	24
				Cylinder Packages	26

# No Gas No Problem

## Strom Electric Boilers

QMS<sup>®</sup>

ISO  
9001 : 2015  
14001 : 2015  
45001 : 2018

INTEGRATED  
MANAGEMENT  
SYSTEM

REGISTERED

Certificate  
No:407152022

# We think we're great, but we went and got it checked.

Strom don't just believe in shouting about how great we are without putting our money where our mouth is, so we went to the industries best certification bodies and got them to put us through our paces.

Unlike many products brought to the market our products are backed by third party certificates, from our independent electrical testing through to our industry recognised WRAS certificates we can promise you are in safe hands, can our competitors do that?





## Strong core values of our company >>



### Customers First

Here at Strom our first priority is to you, our customer. From the initial enquiry through to your product installation we are here to help. Our aim is to serve you well.



### Act With Integrity

We expect to treat you how we would expect to be treated ourselves, with honest and integrity. Everything Strom does will have integrity at its heart.



### Great Quality

Everything we design, produce, and put to market is rigorously tested to ensure it meets our exacting standards. When you buy Strom you are buying quality,



### Fast Support

We know from time to time a little support is required, so if something isn't working, or you just need to ask a question we promise you prompt and professional help.



# The battle for Planet Earth has already begun, & it starts at home

01

## Cutting Carbon Output

**Everyone knows that Global Warming & the damage we are doing to the planet is the single most important issue facing our generation and that of our children.**

We can no longer deny that our reliance on fossil fuels and the dangerous by-products they create have damaged our planet and continue to wreak havoc on our eco system. From the inevitable retreat of the world's ice caps, to the increasingly dangerous weather conditions its affects are felt all over the world.

Fortunately we have alternatives and a real chance to save our planet. Electric cars are gathering pace for good reason, and now our heating systems can also benefit from clean, renewable, and endless electricity. Technological advances and renewable technologies mean we can now power homes carbon free.

More energy suppliers than ever are offering 100% renewable electricity tariffs. Running an Electric Boiler in conjunction with one of these tariffs means a totally carbon free heating experience for your home.

**Compare this to existing carbon based fuels and you can see just how big a difference this makes.**



## 02

### Increasing Efficiency

Did you know most Electric Heating Technologies are 100% efficient? The key to saving the planet is not just about swapping to cleaner fuels its also about making sure that we squeeze as much energy out of every kW as possible.

**Just take a look at how efficient our Electric Boilers are compared to existing and future fuels.**

## 03

### Cutting Heat Losses

There are a lot of technologies available for consideration when trying to save the planet, but whilst many save the Earth they sometimes feel like they cost it!

**Electric boilers are cost effective to install saving you money to spend on improving the heat losses of your house, this means every precious kW stays in your house longer.**

# Why Choose Electric In The First Place?

## Electric Benefits

**dB**

### Virtually Silent In Operation

Our cutting edge boilers only feature one moving part. The built in three speed pump produces such a minute level of noise that you might need convincing that your boiler is even running at all, even at full speed it is near silent.



### No Flue Required For Install

Because electric boilers burn no fossil fuels there are no nasty by products in the form of gasses that would normally pass through the flue. Because there is no flue required you can now virtually site your boiler anywhere, even in some cases on an internal wall.

**CO<sub>2</sub>**

### Can Be Powered Carbon Free

Electric Boilers are only as good as the fuels we feed them, fortunately many suppliers now offer 100% renewable energy tariffs, meaning you can rest assured that your home is producing its heating and hot water 100% carbon free.



### Virtually No Servicing

One major benefit of the lack of moving parts is the minimal servicing requirement needed to keep your boiler in perfect working condition, we only recommend expansion vessel charge and relief valves are tested - quick and easy servicing every time!



## Additional Benefits

**Electric Boilers** come with benefits built in, but **working with Strom** brings even more **benefits to your heating system.**

### 01

#### The boiler can never be condemned

The E-Boiler can never be condemned. Provided that parts are replaced when required the boiler can last a lifetime, leading to lower capital costs over time.

### 02

#### Simple and efficient operation

The User friendly layout on the control panel includes an informative digital display, something for which Strom has already become a firm favourite.

### 03

#### Simple and easy installation

The lack of a fuel line and flue exhaust means that the boiler can be mounted and installed in record time. Once installed even setting up takes minutes.

### 04

#### No more expensive boiler spare parts

There are no costly moving parts, gas sealing valves or other expensive parts our boiler spares are priced low and will stay low.

### 05

#### Future proofed heating technology

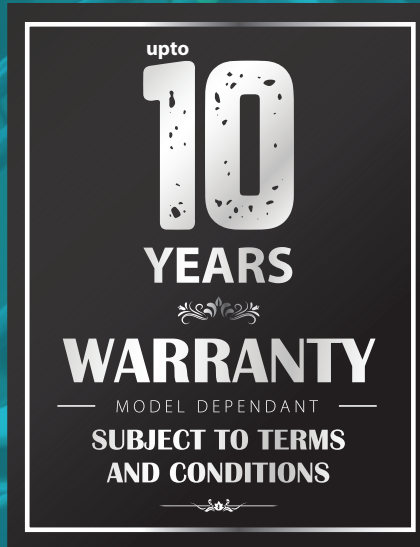
Over the years the UK has seen several changes in heating fuels, unlike gas which may change yet again to Hydrogen, Electric will always remain relevant.

### 06

#### Virtually 100% efficiency built in

Electric boiler efficiency out of the box operate at virtually 100% efficiency and it is expected to remain that way for the whole service life of the product.

# Industry Leading 10 Year Warranty Available



For the first time ever Strom Single Phase System & Combination Boilers are available with up to an industry leading 10 year warranty. To take advantage of this incredible offering simply purchase one of our 10 year warranty boiler products.

Dont worry if you don't want to opt for our 10 year warranty you are now covered by our 5 year warranty as standard.

Boilers must be registered within 45 days of purchase. Terms & Conditions Apply.

## 5 Years Warranty As Standard

Didn't opt to purchase a 10 year package, don't worry, all Single Phase System and Combination Boilers purchased after the 1st May 2022 will be covered by Strom's 5 year warranty terms. Simply remember to register your purchase online within 45 days.

## Whats Covered In The Warranty?

Once registered regardless of the length of guarantee, Strom will cover your product for a period of 2 years for Parts & Labour. The balance of the guarantee will provide you with free parts for your boiler, giving you peace of mind for up to 10 years.

# 10 Year Warranty Products

You can now take advantage of our standard 5 year warranty or up to an industry leading 10 year warranty by purchasing one of our product codes below.

Upon purchase of your Strom Product please remember to register your warranty with proof of purchase within 45 days otherwise your product will default to a standard 1 year Parts & Labour Warranty. Register at [www.stromltd.com](http://www.stromltd.com).



## Strom System Boilers

For technical information from this brochure please use the product code for the standard warranty as technical details remain the same.

	Standard Warranty	10 Year Warranty
7kW System Boiler	SBSP7S	SBSP7S10
11kW System Boiler	SBSP11S	SBSP11S10
14.4kW System Boiler	SBSP15S	SBSP15S10

## Strom Combi Boilers

For technical information from this brochure please use the product code for the standard warranty as technical details remain the same.

	Standard Warranty	10 Year Warranty
7kW Combi Boiler	SBSP7C	SBSP7C10
11kW Combi Boiler	SBSP11C	SBSP11C10
14.4kW Combi Boiler	SBSP15C	SBSP15C10

# No Gas No Problem

## Strom Electric Boilers

### Choosing The Right System For You

Working out what electric boiler you might need can be a little daunting if this is your first time. Everyone seems really settled with existing heating technologies, but how do Electric Boilers compare?

Well in truth, they're not all that different, whether you are a plumber, electrician, homeowner, or just intersted, please check out our handy tips on the page opposite to ensure that you get the correct boiler the first time.

**Remember, it is always better to check than get it wrong.**

Selection

## Boiler Type 01

Strom's Electric Boilers are split into three categories of product:

### Combi Boilers:

For situations where hot water is required but there is no room for a cylinder. These style of systems tend to have lower flow rates so care must be taken to select the correct model.

### System Boilers:

For installations where hot water is not required or where a cylinder will be used. The installation will require more space but does not suffer from flow rate issues.

### Heat Only Boilers:

Similar to the system boiler, but instead of the pump & expansion being built into the boiler it is located externally, this is an advantage when it comes to space.

## Exceptions 02

Electric Boilers are exceptional performers but do have limitations:

### Baths:

For Baths, Strom normally recommend System Boilers & Cylinders, or Three Phase Combination Boilers. Using a Single Phase Combi is possible, but please observe the flow rate in the technical specification. For many people the flow rate will just not be sufficient and it will take a long time to fill a bath.

### High Heat Loss Properties:

Where a property suffers from high heatloss (i.e. does your property struggle to keep the heat in?) then Electric Boilers may not be for you. The aim is to always reduce the heatloss of your property, this drives down heating costs and protects the environment. Consider what can be done to improve your heatloss.

Sizing

## kW Rating 03

In each product type we have various kW ratings, so which do I choose?

### Water Sizing:

For Combi Boilers Strom provide the recommended flow rate for each kW rating, as the kW's go up so too does the flow rate. These flow rates will give you the approximate flow rate expected at around 40°C output.

### Heating Sizing:

Normally your plumber will be able to use a calculator to help you work out what the heating demand of your property is, however if you need help Strom are launching a new paid service that will do the heating design for you. Coming in 2022 Strom will ask you some basic questions then ask one of our heating design team to let you know which product is best suited to your application.

## Supply 04

Be aware that the supply you have may limit your product options

### Single Phase/Three Phase

It is extremely rare to find three phase in homes in the UK but your electrician will help advise you of what power supply you have available.

### Voltage:

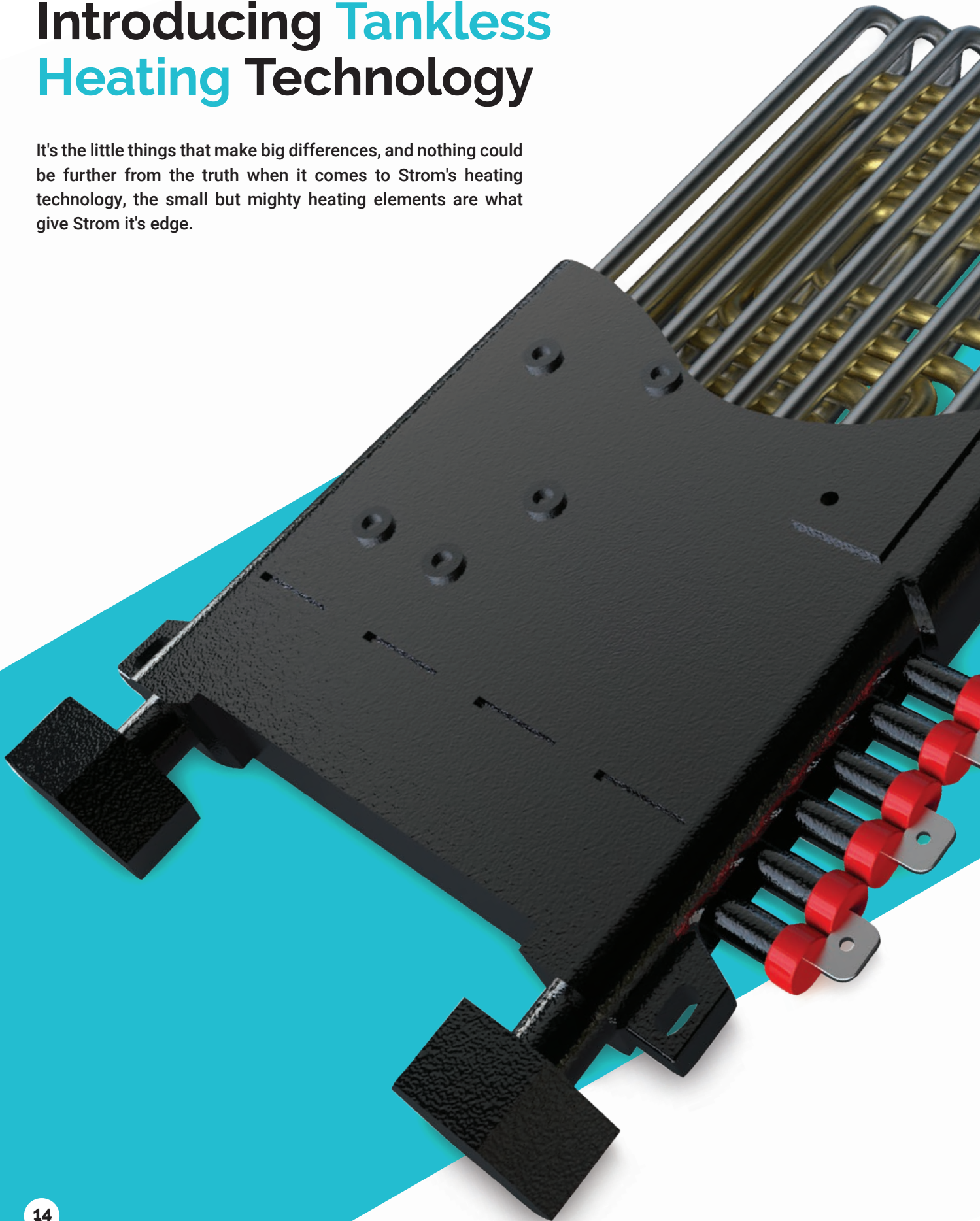
In the UK power is delivered to homes at 230V, however it is possible that your home has more or less than this. In fixed resistance devices like electric boilers, as the voltage goes up so too does the number of amps drawn.

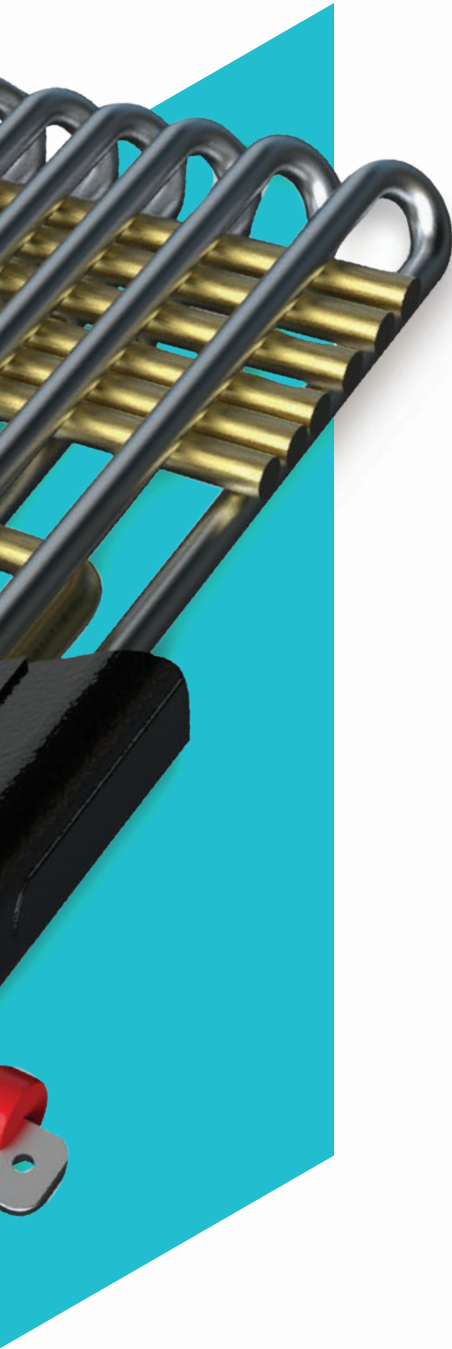
### Amps:

After calculating your amp draw please make sure your home has enough power to supply your chosen boiler & you install the correct breaker & cable size according to that draw.

# Introducing Tankless Heating Technology

It's the little things that make big differences, and nothing could be further from the truth when it comes to Strom's heating technology, the small but mighty heating elements are what give Strom it's edge.





## What Makes **Strom** Different?

Strom's flat Serpentine Heating Element means **more technology in less space**, quicker heat up times, and more reliable **performance for years to come**.

### 01

#### Heat is transferred across the whole surface area

The heating element transfers heat evenly across its whole surface, this increases heat up speed as well as eliminating hot spots.

### 02

#### Water is kept separate to the heating strands

This severely reduces the waters ability to corrode the heating strands which in turn drastically improves the lifespan of the heating element.

### 03

#### Multiple heating strands per element.

Where most of our competitors use one strand to supply all their heating capacity we use multiple strands meaning less stress on components.

### 04

#### The heating element is a single unit.

It is common in other products to use an element inside a small tank which makes replacement difficult. Strom's unit is a single unit making replacement easy.

### 05

#### Fully modulating heating technology

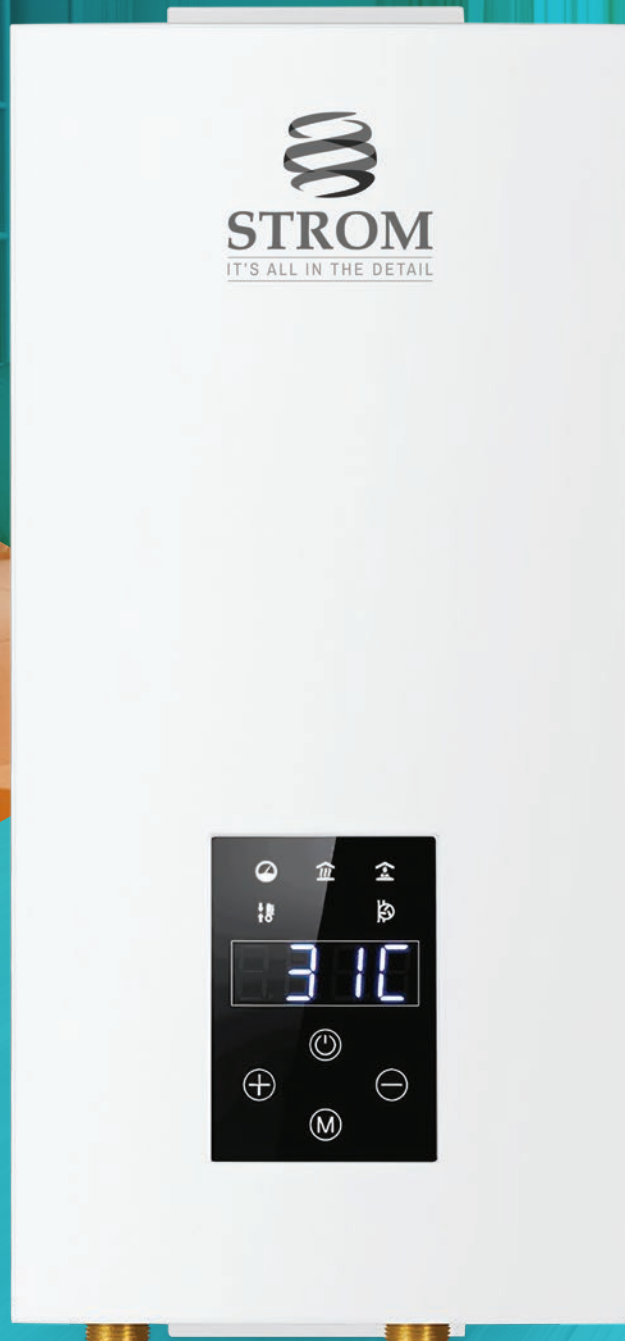
Having multiple strands each with its own control means fast and accurate modulation allowing boilers to modulate down to as little as 1kW.

### 06

#### Less limescale means longer performance

Because hotspots are eliminated, limescale is less likely to build up inside the heating element, this means no reduction in performance or heating.

# Introducing Strom Heat Only Electric Boilers



Heat only boilers are the perfect solution for when space is a premium or you do not require built in pumps or expansion vessels. Don't let the size of these units fool you, they're just as powerful as our larger boilers.



# Heat Only Electric Boiler Specification.

Heat Only Boilers are the most simplistic form of an Electric Boiler, but their compact format means they can be placed almost anywhere you have the space.

Whilst the Heat Only Boiler's larger cousins feature built in pumps and vessels, the Heat Only has just the essentials, this means any additional items such as the pump can be placed external to the boiler. This boiler is normally the go to boiler for space issues or where pump & expansion arrangements are not required. Fully modular components means this boiler can be repaired for a longer service life.

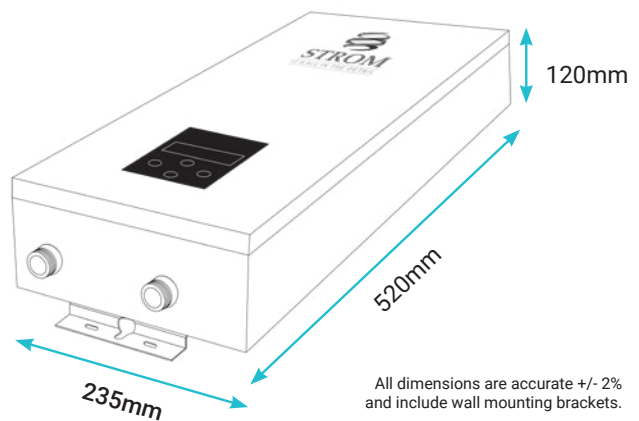
## What's supplied in the box?

- Heat Only Boiler
- Wall fixings & mounting guide
- Installation manual

## What else do I need?

"What else do I need?" is supplied as a guide only and is not meant to be an exhaustive list but rather a prompt.

- Pipe fixings or hoses
- Isolation valves
- Circulating pump
- Expansion vessel & kit
- Automatic bypass valve
- Zone Valves (if required)
- External heating controls



All dimensions are accurate +/- 2% and include wall mounting brackets.



	SINGLE PHASE BOILERS (230V)			
Product Code	SBSP6H	SBSP9H	SBSP11H	SBSP15H
Heat Output	6kW	9kW	11kW	14.4kW
Amps at 230VAC	26A	41A	48A	62A
Minimum Breaker Size	32A	45A	63A	63A
Minimum Cable Size	2.5mm <sup>2</sup>	6mm <sup>2</sup>	10mm <sup>2</sup>	10mm <sup>2</sup>
Heating Temperature Range	20°C - 80°C			
Heating Pressure Range	0.5 - 1.5 Bar			
Heating Flow & Return Size	3/4" Male (We recommend flexi hoses or push fit irons)			
PRV Connection Size	15mm Compression			
ERP Rating (Heating)	D	D	D	D

All figures above are calculated based on 230V & 400V, please bare in mind if your voltage differs to this the figures will change.

# Introducing Pre-Plumbed Electric Boiler



When a one box system is required look no further than our Pre-Plumbed Electric Boiler. By expertly blending two of our most popular products we have delivered a quick and easy to install electric heating system in a single unit.

# Pre-Plumbed Electric Boiler Specification.

**By combining our two most popular products, Strom have drastically reduced installation time on site, allowing more installs per day, therefore decreasing costs.**

Using only premium industry leading components the Strom Pre-Plumb Electric Boiler unit is not just a cost saver, it is also a glimpse into the future of heating. Requiring minimal plumbing and electrical connections once on site this unit can start producing heating and hot water in no time at all.

## Choosing a unit pairing...

It is important that the cylinder and boiler are sized as accurately as possible so as to ensure compatibility on site. Using the table below please select the size of boiler you require, and then find the corresponding cylinder, this will give you the product code. For technical details of the boiler please see page 17. Further technical details of the cylinder can be found at [www.stromltd.com](http://www.stromltd.com)

	6kW (SBSP6H)	9kW (SBSP9H)	11kW (SBSP11H)	14.4kW (SBSP15H)
150L Pre-Plumb (SC150I)	SBSP6H150PP	SBSP9H150PP	SBSP11H150PP	SBSP15H150PP
170L Pre-Plumb (SC170I)	N/A	SBSP9H170PP	SBSP11H170PP	SBSP15H170PP
200L Pre-Plumb (SC200I)	N/A	N/A	SBSP11H200PP	SBSP15H200PP

Other sizes may be available as specials upon request. Please contact your local merchant for more information.

## Cylinder technical details...

The Prime2o reinvents the standard for Unvented Hot Water Cylinders, designed & manufactured to the highest possible standards in our factory right here in the UK by specialists with over a 100 years combined knowledge in the heating industry.

Using only the highest quality Duplex Stainless Steels means you are investing in a product that can be relied upon for years to come, all of this is backed by our 25 Year Manufacturing Guarantee (terms & conditions apply). Performance is at the heart of all our Cylinders, with excellent Heat Loss and Reheat Times our cylinders will be at home in any home.

	150L Pre-Plumb	170L Pre-Plumb	200L Pre-Plumb
Height (mm)	1075	1203	1389
Width (mm)	580	580	580
Depth (mm)	660	660	600

	150L Pre-Plumb	170L Pre-Plumb	200L Pre-Plumb
Capacity (litres)	147	167	197
Weight Empty (kg)	48	52	56
Weight Full (kg)	196	220	253
Heat Loss (kWh/24h)	1.32	1.63	1.7
Maximum Water Pressure	10.0 Bar		
Maximum Fill Pressure	3.0 Bar		
Number Of Immersions	1	1	1
Coil Rating (kW)	18.25	19.35	19.94
ERP Rating (Cylinder Only)	B	C	C

# Introducing Strom System Electric Boilers



System Boilers are the big brother to our Heat Only Product. Operating in exactly the same way but with the added benefit of the Pump & Heating Vessel being a part of the product. This can cut down on installation time & make installation simpler.

# System Electric Boiler Specification.

The Strom Electrical System Boiler has been designed from the ground up to be familiar to anyone with any experience of Gas, Oil or LPG boilers.

When running the Electric System Boiler in conjunction with a Hot Water Cylinder on Economy 10 tariffs the boiler stands up as a perfectly feasible option against Oil & LPG in terms of running cost. The boiler is ideal for replacing existing tank based fuels, where gas is not available, and where the benefits of the electric boiler outweigh the monthly running costs.

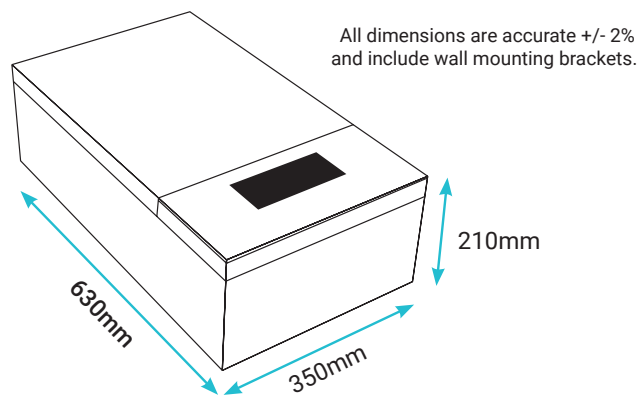
## What's supplied in the box?

- System Boiler
- Wall fixings & mounting guide
- Installation manual

## What else do I need?

"What else do I need?" is supplied as a guide only and is not meant to be an exhaustive list but rather a prompt.

- Pipe fixings or hoses
- Isolation valves
- Heating Vessel (required if built in vessel is not large enough)
- Automatic bypass valve
- Zone Valves (if required)
- External heating controls



	SINGLE PHASE BOILERS (230V)			THREE PHASE BOILERS (400V)		
Product Code	SBSP7S	SBSP11S	SBSP15S	SBTP18S	SBTP21S	SBTP24S
Heat Output	7kW	11kW	14.4kW	18kW	21kW	24kW
Amps at 230VAC	32A	55A	62A	27A	32A	36A
Minimum Breaker Size	40A	63A	63A	32A	40A	40A
Minimum Cable Size	4mm <sup>2</sup>	10mm <sup>2</sup>	10mm <sup>2</sup>	3x4mm <sup>2</sup>	3x6mm <sup>2</sup>	3x6mm <sup>2</sup>
Heating Temperature Range	20°C - 80°C					
Heating Pressure Range	0.5 - 1.5 Bar					
Connection Size	Heating: 3/4" Male (We recommend flexi hoses or push fit irons)					
PRV Connection Size	15mm Compression					
ERP Rating (Heating)	D	D	D	D	D	D

All figures above are calculated based on 230V & 400V, please bare in mind if your voltage differs to this the figures will change.

# Introducing Strom Combination Electric Boilers



Electric Combi boilers when sized and installed correctly truly are a heating product of the future. Its compact dimensions and multiple heating elements make it an excellent contender for your next installation.

# Combi Electric Boiler Specification.

The Strom Electric Combination boiler represents a true step forward in heating technology, this is in part thanks to its cutting edge heating elements.

Designed to operate as a replacement to convectional Boiler and Cylinder the electric Combi Boiler can efficiently and quietly meet the heating and hot water demands required of it. When teamed with an Economy 10 Tarriff the energy saving potential is huge, owing to no longer requiring huge stores of water.

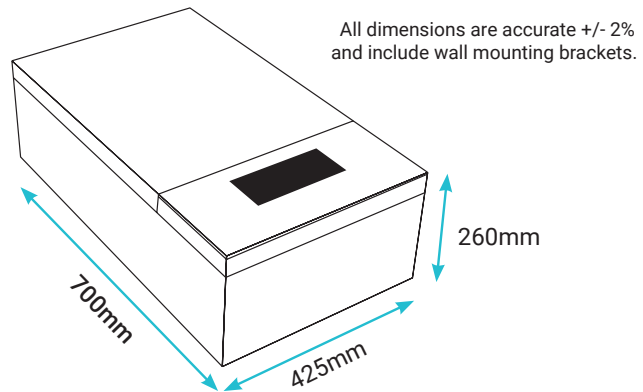
## What's supplied in the box?

- Combi Boiler
- Wall fixings & mounting guide
- Installation manual

## What else do I need?

"What else do I need?" is supplied as a guide only and is not meant to be an exhaustive list but rather a prompt.

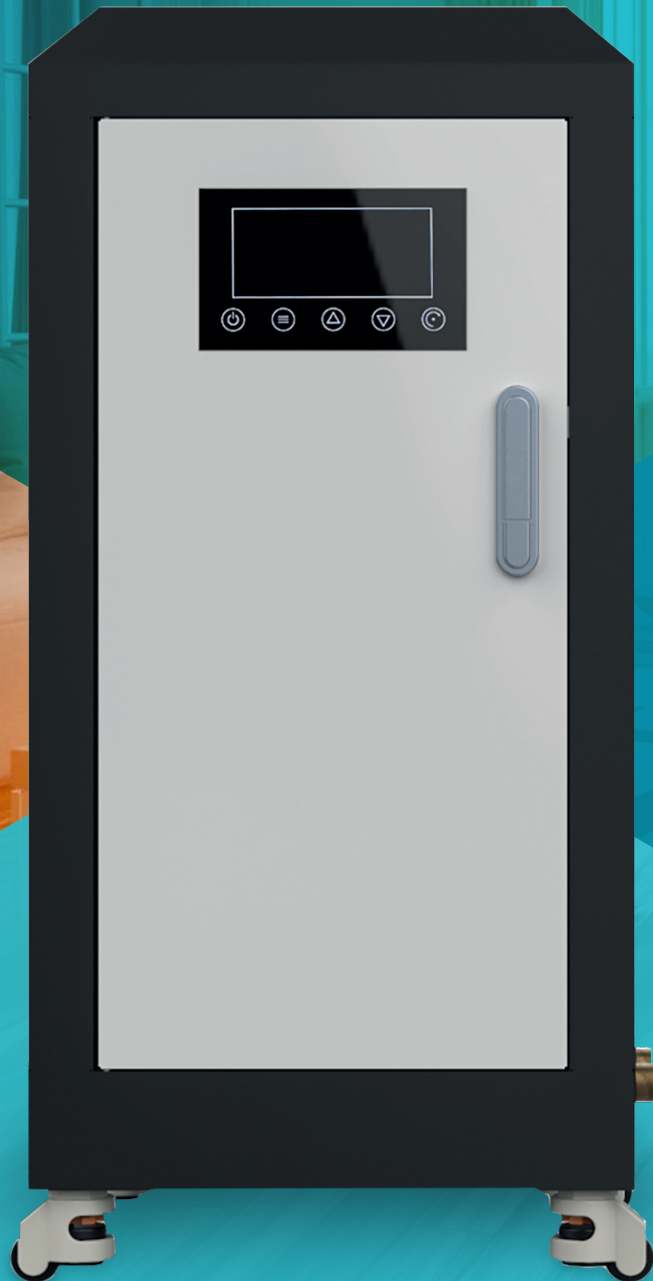
- Pipe fixings or hoses
- Isolation valves
- Heating Vessel (required if built in vessel is not large enough)
- Automatic bypass valve
- Zone Valves (if required)
- External heating controls



	SINGLE PHASE BOILERS (230V)			THREE PHASE BOILERS (400V)		
Product Code	SBSP7C	SBSP11C	SBSP15C	SBTP18C	SBTP21C	SBTP24C
Heat Output	7kW	11kW	14.4kW	18kW	21kW	24kW
Amps at 230VAC	32A	55A	62A	27A	32A	36A
Minimum Breaker Size	40A	63A	63A	32A	40A	40A
Minimum Cable Size	4mm <sup>2</sup>	10mm <sup>2</sup>	10mm <sup>2</sup>	3x4mm <sup>2</sup>	3x6mm <sup>2</sup>	3x6mm <sup>2</sup>
Heating Temperature Range	20°C - 80°C					
Heating Pressure Range	0.5 - 1.5 Bar					
Maximum DHW Pressure	6.0 Bar					
DHW Flow @ 30°C Rise (ltrs/min)	4	6	7	9	10	12
Connection Size	Heating: 3/4" Male, DHW: 1/2" Male (We recommend flexi hoses or push fit irons)					
PRV Connection Size	15mm Compression					
ERP Rating (Heating)	D	D	D	D	D	D
ERP Rating (DHW)	A	A	A	A	A	A

All figures above are calculated based on 230V & 400V, please bare in mind if your voltage differs to this the figures will change.

# Introducing Strom Commercial Electric Boilers



Extremely powerful and versatile units that can be supplied as off the self products or customised to your requirements. These commercial boilers open up a world of possibilities for market areas previously considered off limits.



## 3 Phase Micro Series Commercial Boiler Systems.

When power is required but footprint is still limited...

The Micro Series Commercial Boiler has been designed for mid-sized applications, making it perfect for Offices, Warehousing, & Small Public Venues.



	Specifications Available
Voltage	400VAC
Powers Available	30 - 75kW
Amp Range	46-114A
Thermal Efficiency	95%
Inlet & Outlet Size	DN25 Flow & Return
Rated Pressure	0.6 - 6.0 Bar
Flow Temperature Range	30°C -80°C
Height	1000mm
Width	500mm
Depth	500mm

## 3 Phase Maxi Series Commercial Boiler Systems.

When all out power is required...

The Maxi Series Commercial Boiler has been designed with no compromises in mind, multiple layers of heating elements have been stacked and arranged to offer peak heating output. Ideal for large demand applications such as Schools, Hotels, & Leisure Centers.



	Specifications Available
Voltage	400VAC
Powers Available	80 - 290kW
Amp Range	130 - 440A
Thermal Efficiency	95%
Inlet & Outlet Size	DN40 or DN65 Flow & Return
Rated Pressure	0.6 - 6.0 Bar
Flow Temperature Range	30°C -80°C
Height	1000mm
Width	2000mm
Depth	900mm

# Introducing Strom Boiler Packages



Sometimes the old methods are the best methods, and Unvented Cylinders are no exception. Partnering our Electric Boilers with Unvented Cylinders delivers unrivalled Hot Water performance.

# Combi Boilers & Programmable Thermostat Packages.

Pairing Strom Boilers with Strom Heating Controls just makes sense...

Strom's high quality RF Programmable Room Thermostat is the perfect partner to our Combi Boiler allowing you to regulate Time & Temperature right out of the box. Purchasing a package takes the complication out of checking system compatability and ensures the efficient running of your boiler from Day 1.



The Strom range of Programmable Room Thermostats has been designed from the ground up with features and usability in mind. The stylish yet simple design is extremely easy to navigate and can be programmed very simply using the supplied easy to understand user guide. These products are the perfect partner to Combi Boiler based systems.

- Features optimum stop, delayed & optimum start / TPI technology.
- Large clear and easy to read display with adjustable contrast ratio.
- Choose from between 7 Day, 5/2 Day or 24 hour programming.
- Can be programmed for either 4 or 6 events.
- Automatic daylight savings adjustment.
- Service interval / Landlord function.
- Built using high quality Omron Relays.

	7kW	11kW	14.4kW	18kW	21kW	24kW
RF Programmable Thermostat	SBSP7CPA	SBSP11CPA	SBSP15CPA	SBTP18CPA	SBTP21CPA	SBTP24CPA

# System Boilers & Unvented Cylinder Packages.

Working together to deliver a superior hot water experience...

Sometimes the old methods are the best methods, and Unvented Cylinders are no exception. Partnering our Electric System Boilers with Unvented Cylinders delivers unrivalled Hot Water performance. Kits also comprise a Strom 2 Channel Programmer & Room Thermostat.

	7kW	11kW	14.4kW	18kW	21kW	24kW
120L Unvented Indirect Cylinder	SBSP7S120C	SBSP11S120C	SBSP15S120C	N/A	N/A	N/A
150L Unvented Indirect Cylinder	SBSP7S150C	SBSP11S150C	SBSP15S150C	N/A	N/A	N/A
170L Unvented Indirect Cylinder	SBSP7S170C	SBSP11S170C	SBSP15S170C	SBTP18S170C	SBTP21S170C	SBTP24S170C
200L Unvented Indirect Cylinder	SBSP7S200C	SBSP11S200C	SBSP15S200C	SBTP18S200C	SBTP21S200C	SBTP24S200C
250L Unvented Indirect Cylinder	N/A	N/A	N/A	SBTP18S250C	SBTP21S250C	SBTP24S250C
300L Unvented Indirect Cylinder	N/A	N/A	N/A	SBTP18S300C	SBTP21S300C	SBTP24S300C



**Strom Limited**

Warehouse 2, Sandbeds Trading  
Estate, Ossett, WF5 9ND

P : 0333 344 24 74

E : sales@stromltd.com

[www.stromltd.com](http://www.stromltd.com)



Certificate  
No:407152022

**No Gas No Problem**  
Strom Electric Boilers